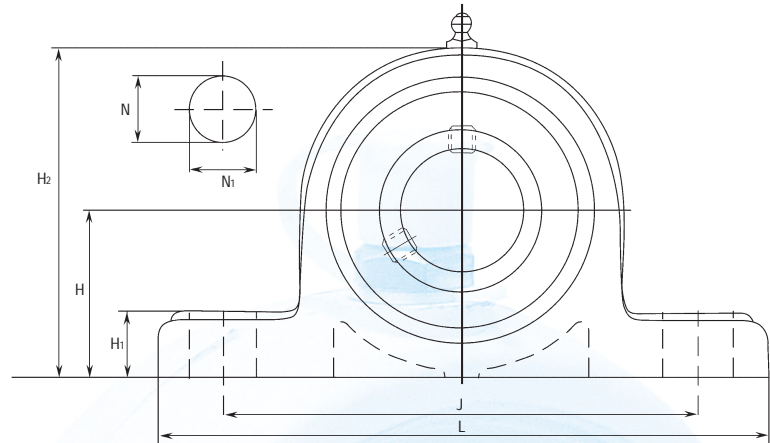
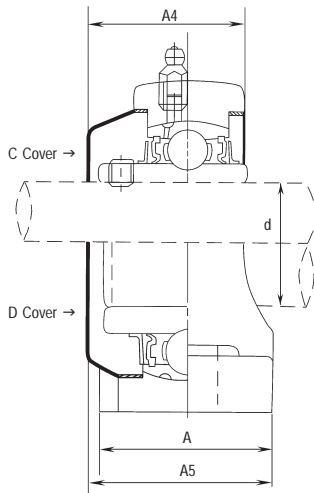


THERMO-PLASTIC HOUSING PILLOW BLOCK UNIT

SPUCP2 Series



STAINLESS STEEL SERIES



UNIT NO	SHAFT DIA, d		DIMENSIONS (mm)												BOLT SIZE	BEARING NO	HOUSING NO	WEIGHT (kg)
	mm	inch	H	L	J	A	N	N ₁	H ₁	H ₂	A ₁	A ₂	B	S				
SPUCP204-12	20	¾"	33.3	127	95	39.0	13	19	16	84.1	45.0	51.0	31.0	12.7	M10	SSUC204	SPP204	0.275
SPUCP204		SSUC204-12																
SPUCP205-14	25	7/8"	36.5	140	105	39.0	13	19	16	70.0	47.8	52.4	34.1	14.3	M10	SSUC205-14	SPP205	0.330
SPUCP205-15		1-5/16"														SSUC205-15		
SPUCP205	30	1"	42.9	160	121	47.1	15	21	17	84.0	56.5	64.3	38.1	15.9	M12	SSUC205	SPP206	0.515
SPUCP205-16		1-1/8"														SSUC205-16		
SPUCP206-18	35	1-3/16"	47.6	167	127	48.0	17	21	20	94.0	59.2	66.0	42.9	17.5	M14	SSUC206-18	SPP207	0.675
SPUCP206		1-1/4"														SSUC206-18		
SPUCP206-19	40	1-5/8"	49.2	184	137	55.0	17	22	20	101.2	66.8	79.8	49.2	19.0	M14	SSUC206	SPP208	0.915
SPUCP206-19		1-3/8"														SSUC206		
SPUCP207-20	45	1-7/8"	54.0	190	146	55.0	17	25	22	109.0	71.0	85.0	49.2	19.0	M14	SSUC207-20	SPP209	1.000
SPUCP207-20		1-1/2"														SSUC207-20		
SPUCP207-21	50	1-5/16"	57.2	206	159	61.0	20	22	23	114.0	76.0	92.0	51.6	19.0	M16	SSUC207-21	SPP210	1.180
SPUCP207-21		1-3/8"														SSUC207-21		
SPUCP207-22	55	1-3/8"	63.5	219	171	61.0	20	25	25	127.0	83.0	105.0	55.6	22.2	M16	SSUC207-22	SPP211	1.470
SPUCP207		1-7/16"														SSUC207-22		
SPUCP207-23	60	1-1/2"	69.8	238	184	68.0	20	25	25	140.0	91.0	112.0	65.1	25.4	M16	SSUC207	SPP212	1.980
SPUCP207-23		1-9/16"														SSUC207		
SPUCP208-24	60	1-5/8"	69.8	238	184	68.0	20	25	25	140.0	91.0	112.0	65.1	25.4	M16	SSUC208-24	SPP212	1.980
SPUCP208-24		1-11/16"														SSUC208-24		
SPUCP208-25	60	1-3/4"	69.8	238	184	68.0	20	25	25	140.0	91.0	112.0	65.1	25.4	M16	SSUC208-25	SPP212	1.980
SPUCP208		2-7/16"														SSUC208-25		
SPUCP209-26	60	1-5/8"	69.8	238	184	68.0	20	25	25	140.0	91.0	112.0	65.1	25.4	M16	SSUC208	SPP212	1.980
SPUCP209-26		2-1/8"														SSUC208		
SPUCP209-27	60	1-11/16"	69.8	238	184	68.0	20	25	25	140.0	91.0	112.0	65.1	25.4	M16	SSUC209-26	SPP212	1.980
SPUCP209-27		2-1/4"														SSUC209-26		
SPUCP209-28	60	1-3/4"	69.8	238	184	68.0	20	25	25	140.0	91.0	112.0	65.1	25.4	M16	SSUC209-27	SPP212	1.980
SPUCP209		2-3/16"														SSUC209-27		
SPUCP210-30	60	1-7/8"	69.8	238	184	68.0	20	25	25	140.0	91.0	112.0	65.1	25.4	M16	SSUC209-28	SPP212	1.980
SPUCP210-30		2-1/4"														SSUC209-28		
SPUCP210-31	60	1-15/16"	69.8	238	184	68.0	20	25	25	140.0	91.0	112.0	65.1	25.4	M16	SSUC209	SPP212	1.980
SPUCP210		2-3/8"														SSUC209		
SPUCP211-32	60	2"	69.8	238	184	68.0	20	25	25	140.0	91.0	112.0	65.1	25.4	M16	SSUC210-30	SPP212	1.980
SPUCP211-32		2-1/16"														SSUC210-30		
SPUCP211-34	60	2-1/8"	69.8	238	184	68.0	20	25	25	140.0	91.0	112.0	65.1	25.4	M16	SSUC210-31	SPP212	1.980
SPUCP211-34		2-7/16"														SSUC210-31		
SPUCP211	60	2-1/8"	69.8	238	184	68.0	20	25	25	140.0	91.0	112.0	65.1	25.4	M16	SSUC210	SPP212	1.980
SPUCP211		2-3/8"														SSUC210		
SPUCP211-35	60	2-3/16"	69.8	238	184	68.0	20	25	25	140.0	91.0	112.0	65.1	25.4	M16	SSUC211-32	SPP212	1.980
SPUCP211-35		2-1/4"														SSUC211-32		
SPUCP212-36	60	2-1/4"	69.8	238	184	68.0	20	25	25	140.0	91.0	112.0	65.1	25.4	M16	SSUC211-34	SPP212	1.980
SPUCP212		2-3/8"														SSUC211-34		
SPUCP212-38	60	2-3/8"	69.8	238	184	68.0	20	25	25	140.0	91.0	112.0	65.1	25.4	M16	SSUC211	SPP212	1.980
SPUCP212-38		2-7/16"														SSUC211		
SPUCP212-39	60	2-7/16"	69.8	238	184	68.0	20	25	25	140.0	91.0	112.0	65.1	25.4	M16	SSUC212-36	SPP212	1.980
SPUCP212-39		2-3/8"														SSUC212-36		

Add C for both side open cover & CD for one side open & one side close cover