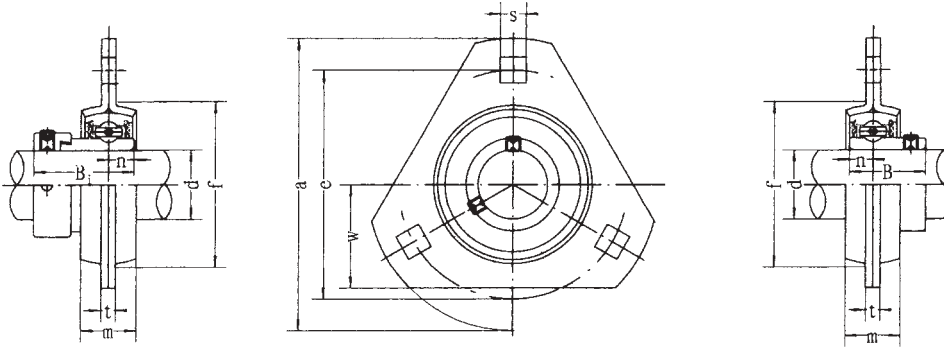


**SBPFT2**  
(with SB2 Bearing Insert)

Pressed Housing Flange Units  
(Light-duty)

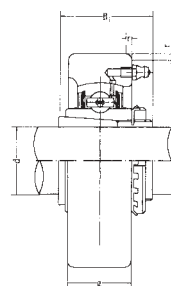
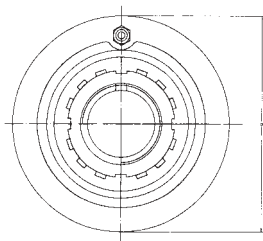
**SAPFT2**  
(with SA2 Bearing Insert)



Unit No.	Dimensions <small>mm inch</small>								Bolt Used <small>mm inch</small>	SAPFT			SBPFT				Housing No.	
	d	a	e	w	m	s	t	f (mm)		B <sub>1</sub>	n	Bearing No.	Weight (kg)	B	n	Bearing no.		Weight (kg)
SAPFT 201	12	81	63.5	28.5	14	7.1	4	49	M6	28.6	6.5	SA201		22	6	SB201		
SBPFT 201-8	3/4											SA201-8				SB201-8		
202	15											SA202				SB202		
202-9	9/16	3-3/16	2-1/2	1-1/8	9/16	9/32	0.157	1-59/64	1/4	1.1260	0.2559	SA202-9	0.26	0.8661	0.2362	SB202-9	0.23	PFT203
202-10	5/8											SA202-10				SB202-10		
203	17											SA203				SB203		
203-11	11/16											SA203-11				SB203-11		
SAPFT 204	20	90	71.5	33	16	9	4	56	M8	31	7.5	SA204		25	7	SB204	0.28	PFT204
SBPFT 204-12	3/4	3-35/64	2-13/16	1-19/64	5/8	23/64	0.157	2-13/64	5/16	1.2204	0.2953	SA204-12	0.28	0.9843	0.2756	SB204-12		
SBPFL 205	25	95	76	35	18	9	4	60	M8	31	7.5	SA205		27	7.5	SB205		
SBPFL 205-13	13/16											SA205-13				SB205-13		
205-14	7/8	3-3/4	2-63/64	1-3/8	23/32	23/64	0.157	2-23/64	5/16	1.2204	0.2953	SA205-14	0.36	1.0630	0.2953	SB205-14	0.36	PFT205
205-15	15/16											SA205-15				SB205-15		
205-16	1											SA205-16				SB205-16		
SAPFT 206	30	113	90.5	40	18	11	5.2	71	M10	35.7	9	SA206		30	8	SB206		
SBPFT 206-17	1-1/16											SA206-17				SB206-17		
206-18	1-1/8	4-7/16	3-9/16	1-37/64	23/32	7/16	0.205	2-51/64	3/8	1.4055	0.3543	SA206-18	0.58	1.1811	0.3150	SB206-18	0.55	PFT206
206-19	1-3/16											SA206-19				SB206-19		
206-20	1-1/4											SA206-20				SB206-20		
SAPFT 207	35	122	100	44.5	20	11	5.2	81	M10	38.9	9.5	SA207		32	8.5	SB207		
SBPFT 207-20	1-1/4											SA207-20				SB207-20		
207-21	1-5/16	4-13/16	3-15/16	1-3/4	25/32	7/16	0.205	3-3/16	3/8	1.5315	0.3740	SA207-21	0.82	1.2598	0.3346	SB207-21	0.74	PFT207
207-22	1-3/8											SA207-22				SB207-22		
207-23	1-7/16											SA207-23				SB207-23		

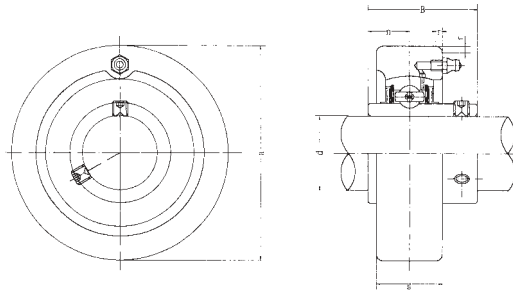
**Cartridge Units  
(Adapter mounted)**

**UKC 2 (normal-duty)**



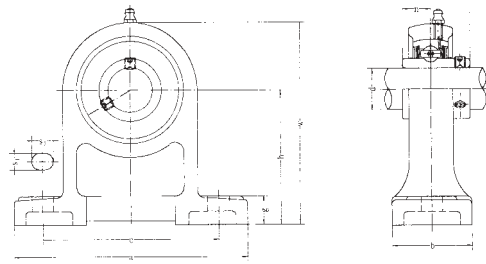
Unit No.	Dimensions <sup>mm</sup> <sub>inch</sub>					Bearing No.	Housing No.	No.	Weight (kg)
	d	a	g	r	B <sub>1</sub>				
UKC 205	20	80	22	2	35	UK 205	C205	H305 HE305	0.68
	<sup>3</sup> / <sub>4</sub>	3.1496	<sup>55</sup> / <sub>64</sub>	0.079	1.378				
UKC 206	25	85	27	2	38	UK 206	C206	H306 HS306 HE306	0.84
	<sup>7</sup> / <sub>8</sub> 1	3.3465	1- <sup>1</sup> / <sub>16</sub>	0.079	1.496				
UKC 207	30	90	28	2	43	UK 207	C207	H307 HS307	1.02
	1- <sup>1</sup> / <sub>8</sub>	3.5433	1- <sup>7</sup> / <sub>64</sub>	0.079	1.693				
UKC 208	35	100	30	2.5	46	UK 208	C208	H308 HE308 HS308	1.32
	1- <sup>1</sup> / <sub>4</sub> 1- <sup>3</sup> / <sub>8</sub>	3.9370	1- <sup>3</sup> / <sub>16</sub>	0.098	1.811				
UKC 209	40	110	31	2.5	50	UK 209	C209	H309 HA309 HE309 HS309	1.64
	1- <sup>7</sup> / <sub>16</sub> 1- <sup>1</sup> / <sub>2</sub> 1- <sup>5</sup> / <sub>8</sub>	4.3307	1- <sup>7</sup> / <sub>32</sub>	0.098	1.969				
UKC 210	45	120	33	2.5	55	UK 210	C210	H310 HS310 HA310 HE310	2.07
	1- <sup>5</sup> / <sub>8</sub> 1- <sup>11</sup> / <sub>16</sub> 1- <sup>3</sup> / <sub>4</sub>	4.7244	1- <sup>19</sup> / <sub>64</sub>	0.098	2.165				
UKC 211	50	125	35	2.5	59	UK 211	C211	H311 HS311 HA311 HE311	2.33
	1- <sup>7</sup> / <sub>8</sub> 1- <sup>15</sup> / <sub>16</sub> 2	4.9213	1- <sup>3</sup> / <sub>8</sub>	0.098	2.323				
UKC 212	55	130	38	2.5	62	UK 212	C212	H312 HS312	2.57
	2- <sup>1</sup> / <sub>8</sub>	5.1181	1- <sup>1</sup> / <sub>2</sub>	0.098	2.441				
UKC 213	60	140	40	3	65	UK 213	C213	H313 HA313 HE313 HS313	2.89
	2- <sup>3</sup> / <sub>16</sub> 2- <sup>1</sup> / <sub>4</sub> 2- <sup>3</sup> / <sub>8</sub>	5.5118	1- <sup>37</sup> / <sub>64</sub>	0.118	2.559				

UCCX (medium-duty)



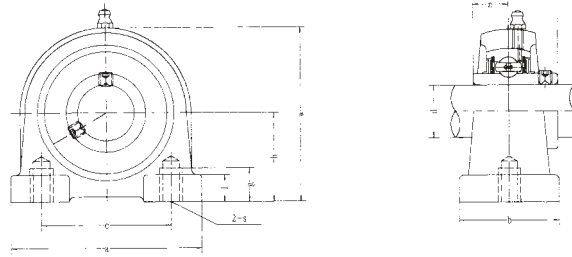
Unit No.	Dimensions <sup>mm</sup> / <sub>inch</sub>						Bearing No.	Housing No.	Weight (kg)
	d	a	g	r	B	n			
UCCX 05	25	90	27	2	38.1	15.9	UCX 05	CX05	1.1
UCCX 05-13	13/16	3.5433	1-1/16	0.079	1.5000	0.626	UCX 05-13		
UCCX 05-14	7/8						UCX 05-14		
UCCX 05-15	15/16						UCX 05-15		
UCCX 05-16	1						UCX 05-16		
UCCX 06	30						100	30	2.5
UCCX 06-17	1-1/16	3.9370	1-3/16	0.098	1.6890	0.689	UCX 06-17		
UCCX 06-18	1-1/8						UCX 06-18		
UCCX 06-19	1-3/16						UCX 06-19		
UCCX 06-20	1-1/4						UCX 06-20		
UCCX 07	35						110	34	2.5
UCCX 07-21	1-5/16	4.3307	1-11/32	0.098	1.9370	0.748	UCX 07-21		
UCCX 07-22	1-3/8						UCX 07-22		
UCCX 07-23	1-7/16						UCX 07-23		
UCCX 08	40						120	38	2.5
UCCX 08-24	1-1/2	4.7244	1-1/2	0.098	1.9370	0.748	UCX 08-24		
UCCX 08-25	1-9/16						UCX 08-25		
UCCX 09	45						120	38	2.5
UCCX 09-26	1-5/8	4.7244	1-1/2	0.098	2.0315	0.748	UCX 09-26		
UCCX 09-27	1-11/16						UCX 09-27		
UCCX 09-28	1-3/4						UCX 09-28		
UCCX 09-29	1-13/16						UCX 09-29		
UCCX 10	50						130	40	2.5
UCCX 10-30	1-7/8	5.1181	1-37/64	0.098	2.1890	0.874	UCX 10-30		
UCCX 10-31	1-15/16						UCX 10-31		
UCCX 10-32	2						UCX 10-32		
UCCX 11	55						150	42	3
UCCX 11-33	2-1/16	5.9055	1-21/32	0.118	2.5630	1.000	UCX 11-33		
UCCX 11-34	2-1/8						UCX 11-34		
UCCX 11-35	2-3/16						UCX 11-35		
UCCX 11-36	2-1/4						UCX 11-36		
UCCX 11-37	2-5/16						UCX 11-37		
UCCX 12	60						160	44	3
UCCX 12-38	2-3/8	6.2992	1-47/64	0.118	2.5630	1.000	UCX 12-38		
UCCX 12-39	2-7/16						UCX 12-39		

UCPH 2 (normal-duty)



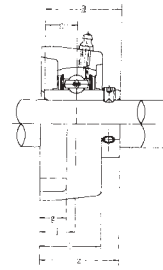
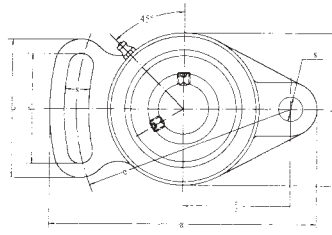
Unit No.	Dimensions <sup>mm</sup> / <sub>inch</sub>											Bolt Size mm inch	Bearing No.	Housing No.	Weight (kg)				
	d	h	a	e	b	S <sub>1</sub>	S <sub>2</sub>	g	w	B	n								
UCPH 201	12	70	127	95	40	13	19	15	101	31	12.7	M10	UC 201 UC 201-8 UC 202 UC 202-9 UC 202-10 UC 203 UC 203-11 UC 204 UC 204-12	PH204	0.81 0.80 0.80 0.80 0.80 0.79 0.78 0.77 0.77				
UCPH 201-8	3/4																		
UCPH 202	15																		
UCPH 202-9	9/16																		
UCPH 202-10	5/8	2-3/4	5	3-3/4	1-9/16	1/2	3/4	19/32	3-63/64	1.2205	0.500								
UCPH 203	17																		
UCPH 203-11	11-16																		
UCPH 204	20																		
UCPH 204-12	3/4																		
UCPH 205	25	80	140	105	50	13	19	16	114	34.1	14.3	M10	UC 205 UC 205-13 UC 205-14 UC 205-15 UC 205-16	PH205	1.01 1.05 1.04 1.02 1.01				
UCPH 205-13	13/16																		
UCPH 205-14	7/8	3-5/32	5-1/2	4-1/8	1-31/32	1/2	3/4	5/8	4-31/64	1.3425	0.563								
UCPH 205-15	15/16																		
UCPH 205-16	1																		
UCPH 206	30	90	161	121	50	17	21	17	130	38.1	15.9	M14	UC 206 UC 206-17 UC 206-18 UC 206-19 UC 206-20	PH206	1.47 1.50 1.49 1.47 1.46				
UCPH 206-17	1-1/16																		
UCPH 206-18	1-1/8	3-35/64	6-11/32	4-3/4	1-31/32	43/64	53/64	43/64	5-1/8	1.5000	0.626								
UCPH 206-19	1-3/16																		
UCPH 206-20	1-1/4																		
UCPH 207	35	95	166	127	60	17	21	18	140	42.9	17.5								
UCPH 207-20	1-1/4											M14	UC 207 UC 207-20 UC 207-21 UC 207-22 UC 207-23	PH207	1.91 1.97 1.94 1.91 1.88				
UCPH 207-21	1-5/16																		
UCPH 207-22	1-3/8	3-47/64	6-17/32	5	2-23/64	43/64	53/64	45/64	5-33/64	1.6890	0.689								
UCPH 207-23	1-7/16																		
UCPH 208	40	100	178	137	70	17	21	19	150	49.2	19								
UCPH 208-24	1-1/2	3-15/16	7-1/64	5-13/23	2-3/4	43/64	53/64	3/4	5-29/32	1.9370	0.748	M14	UC 208 UC 208-24 UC 209-25	PH208	2.52 2.56 2.53				
UCPH 208-25	1-9/16																		
UCPH 209	45	105	189	146	70	17	21	20	158	49.2	19								
UCPH 209-26	1-5/8											M14	UC 209 UC 209-26 UC 209-27 UC 209-28	PH209	2.72 2.82 2.78 2.74				
UCPH 209-27	1-11/16	4-9/64	7-7/16	5-3/4	2-3/4	43/64	53/64	25/32	6-7/32	1.9370	0.748								
UCPH 209-28	1-3/4																		
UCPH 210	50	110	205	159	70	20	23	21	165	51.6	19								
UCPH 210-29	1-13/16											M16	UC 210 UC 210-29 UC 210-30 UC 210-31 UC 210-32	PH210	3.10 3.22 3.17 3.12 3.08				
UCPH 210-30	1-7/8	4-21/64	8-5/64	6-1/4	2-3/4	25/32	29/32	53/64	6-1/2	2.0315	0.748								
UCPH 210-31	1-15/16																		
UCPH 210-32	2																		
UCPH 211	55	120	219	171	75	20	23	22	181	55.6	22.2								
UCPH 211-32	2											M16	UC 211 UC 211-32 UC 211-33 UC 211-34 UC 211-35	PH211	5.51 5.66 5.60 5.55 5.49				
UCPH 211-33	2-1/16	4-23/32	8-5/8	6-47/64	2-61/64	25/32	29/32	55/64	7-1/8	2.1890	0.874								
UCPH 211-34	2-1/8																		
UCPH 211-35	2-3/16																		
UCPH 212	60	130	241	184	85	20	23	25	197	65.1	25.4								
UCPH 212-36	2-1/4											M16	UC 212 UC 212-36 UC 212-37 UC 212-38 UC 212-39	PH212	6.34 6.47 6.40 6.32 6.25				
UCPH 212-37	2-5/16	5-1/8	9-1/2	7-1/4	3-11/32	25/32	29/32	63/64	7-3/4	2.5630	1.000								
UCPH 212-38	2-3/8																		
UCPH 212-39	2-7/16																		
UCPH 213	65	140	265	203	95	25	28	27	212	65.1	25.4					M20	UC 213 UC 213-40 UC 213-41	PH213	7.46 7.54 7.40
UCPH 213-40	2-1/2	5-33/64	10-7/16	8	3-3/4	63/64	1-3/32	1-1/16	8-11/32	2.5630	1.000								
UCPH 213-41	2-9/16																		
UCPH 214	70	150	266	210	105	25	28	28	225	74.6	30.2	M20	UC 214 UC 214-42 UC 214-43 UC 214-44	PH214	8.25 8.46 8.36 8.26				
UCPH 214-42	2-5/8																		
UCPH 214-43	2-11/16	5-29/32	10-15/32	8-17/64	5-9/64	63/64	1-3/32	1-7/64	8-55/64	2.9370	1.189								
UCPH 214-44	2-3/4																		
UCPH 215	75	160	275	217	115	25	28	29	238	77.8	33.3	M20	UC 215 UC 215-45 UC 215-46 UC 215-47 UC 215-48	PH215	9.61 9.86 9.75 9.64 9.52				
UCPH 215-45	2-13/16																		
UCPH 215-46	2-7/8	5-19/64	10-53/64	8-35/64	4-17/32	63/64	1-3/32	1-9/64	9-3/8	3.0630	1.311								
UCPH 215-47	2-15/16																		
UCPH 215-48	3																		
UCPH 216	80	170	292	232	125	25	28	30	253	82.6	33.3	M20	UC 216 UC 216-49 UC 216-50 UC 216-51	PH216	10.80 10.98 10.58 10.72				
UCPH 216-49	3-1/16																		
UCPH 216-50	3-1/8	6-11/16	11-1/2	9-1/8	4-59/64	63/64	1-3/32	1-3/16	9-61/64	3.2520	1.311								
UCPH 216-51	3-3/16																		

UCPA 2 (normal-duty)



Unit No.	Dimensions <sup>mm</sup> / <sub>inch</sub>											Bolt Size mm inch	Bearing No.	Housing No.	Weight (kg)
	d	h	a	e	b	S1	S2	g	w	B	n				
UCPA 201	12	30.2	76	52	40		15	11	62	31	12.7	M10	UC 201	PA204	0.6
UCPA 201-8	3/4												UC 201-8		0.59
UCPA 202	15												UC 202		0.59
UCPA 202-9	9/16												UC 202-9		0.59
UCPA 202-10	5/8	1-3/16	3	2-3/64	1-9/16	M10	19/32	7/16	2-7/16	1.2205	0.500		UC 202-10		0.59
UCPA 203	17												UC 203		0.58
UCPA 203-11	11/16												UC 203-11		0.57
UCPA 204	20												UC 204		0.56
UCPA 204-12	3/4												UC 204-12		0.56
UCPA 205	25	36.5	84	56	38		15	12	72	34.1	14.3		M10		UC 205
UCPA 205-13	13/16											UC 205-13		0.87	
UCPA 205-14	7/8	1-7/16	3-5/16	2-13/64	1-1/2	M10	19/32	15/32	2-53/64	1.3425	0.563	UC 205-14		0.86	
UCPA 205-15	15/16											UC 205-15		0.84	
UCPA 205-16	1											UC 206-16		0.83	
UCPA 206	30	42.9	94	66	50		18	12	84	38.1	15.9	M14	UC 206	PA206	1.12
UCPA 206-17	1-1/16												UC 206-17		1.15
UCPA 206-18	1-1/8	1-11/16	3-45/64	2-19/32	1-31/32	M14	45/64	15/32	3-5/16	1.5000	0.626		UC 206-18		1.14
UCPA 206-19	1-3/16												UC 206-19		1.12
UCPA 206-20	1-1/4												UC 206-20		1.11
UCPA 207	35	47.6	110	80	55		20	13	95	42.9	17.5	M14	UC 207	PA207	1.48
UCPA 207-20	1-1/4												UC 207-20		1.54
UCPA 207-21	1-5/16	1-7/8	4-21/64	3-5/32	2-11/64	M14	25/32	33/64	3-47/64	1.6890	0.689		UC 207-21		1.51
UCPA 207-22	1-3/8												UC 207-22		1.48
UCPA 207-23	1-7/16												UC 207-23		1.45
UCPA 208	40	49.2	116	84	58		20	13	100	49.2	19	M14	UC 208	PA208	1.89
UCPA 208-24	1-1/2	1-15/16	4-9/16	3-5/16	2-9/32	M14	25/32	33/64	3-15/16	1.9370	0.748		UC 208-24		1.93
UCPA 208-25	1-9/16												UC 208-25		1.90
UCPA 209	45	54.2	120	90	60		25	13	108	49.2	19	M14	UC 209	PA209	1.98
UCPA 209-26	1-5/8												UC 209-26		2.08
UCPA 209-27	1-11/16	2-9/64	4-23/32	3-35/64	2-23/64	M14	63/64	33/64	4-1/4	1.9370	0.748		UC 209-27		2.04
UCPA 209-28	1-3/4												UC 209-28		2.00
UCPA 210	50	57.2	130	94	64		25	14	116	51.6	19	M16	UC 210	PA210	2.16
UCPA 210-29	1-13/16												UC 210-29		2.28
UCPA 210-30	1-7/8	2-1/4	5-1/8	3-45/64	2-33/64	M16	63/64	35/64	4-9/16	2.0315	0.748		UC 210-30		2.23
UCPA 210-31	1-15/16												UC 210-31		2.18
UCPA 210-32	2												UC 210-32		2.14
UCPA 211	55	63.5	140	104	66		25	14	125	55.6	22.2	M16	UC 211	PA211	3.26
UCPA 211-32	2												UC 211-32		3.41
UCPA 211-33	2-11/16	2-1/2	5-33/64	4-3/32	2-19/32	M16	63/64	35/64	4-59/64	2.1890	0.874		UC 211-33		3.35
UCPA 211-34	2-1/8												UC 211-34		3.30
UCPA 211-35	2-3/16												UC 211-35		3.24
UCPA 212	60	69.9	150	114	68		25	15	138	65.1	25.4	M16	UC 212	PA212	4.19
UCPA 212-36	2-1/4												UC 212-36		4.32
UCPA 212-37	2-5/16	2-3/4	5-29/32	4-31/64	2-43/64	M16	63/64	19/32	5-7/16	2.5630	1.000		UC 212-37		4.24
UCPA 212-38	2-3/8												UC 212-38		4.17
UCPA 212-39	2-7/16												UC 212-39		4.10
UCPA 213	65	76.2	160	124	70		25	15	150	65.1	25.4	M16	UC 213	PA213	6.23
UCPA 213-40	2-1/2	3	6-19/64	4-7/8	2-3/4	M16	63/64	19/32	5-29/32	2.5630	1.000		UC 213-40		6.31
UCPA 213-41	2-9/16												UC 213-41		6.17

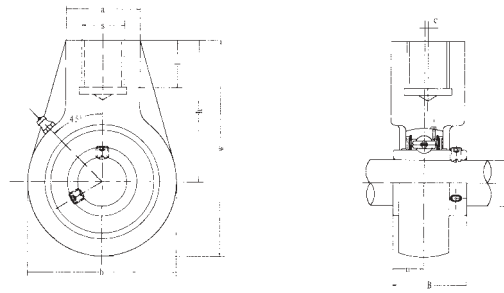
UCFA 2 (normal-duty)



Unit No.	Dimensions <sup>mm</sup> / <sub>inch</sub>													Bolt Size mm inch	Bearing No.	Housing No.	Weight (kg)
	d	a	e	i	q	l	S	b	z	f	c	B	n				
UCFA 201	12	98	78	15	12	25.5	10	60	33.3	40	50	31	12.7	M8	UC 201 UC 201-8 UC 202 UC 202-9 UC 202-10 UC 203 UC 203-11 UC 204 UC 204-12	FA204	0.50 0.49 0.49 0.49 0.49 0.48 0.47 0.46 0.46
UCFA 201-8	3/4																
UCFA 202	15																
UCFA 202-9	9/16																
UCFA 202-10	5/8	3-55/64	3-5/64	19/32	15/32	1	25/64	2-3/8	1-5/16	1-37/64	1-31/32	1.2205	0.500				
UCFA 203	17																
UCFA 203-11	11/16																
UCFA 204	20																
UCFA 204-12	3/4																
UCFA 205	25	124	98	16	14	27	13	70	35.8	51	65	34.1	14.3	M10	UC 205 UC 205-13 UC 205-14 UC 205-15 UC 205-16	FA205	0.66 0.70 0.69 0.67 0.66
UCFA 205-13	13/16																
UCFA 205-14	7/8	4-7/8	3-55/64	5/8	35/64	1-1/16	33/64	2-3/4	1-13/32	2-1/64	2-9/16	1.3425	0.563				
UCFA 205-15	15/16																
UCFA 205-16	1																
UCFA 206	30	141	115	18	14	31	13	83	40.2	58	72	38.1	15.9	M10	UC 206 UC 206-17 UC 206-18 UC 206-19 UC 206-20	FA206	0.93 0.96 0.95 0.93 0.92
UCFA 206-17	1-1/16																
UCFA 206-18	1-1/8	5-35/64	4-17/32	45/64	35/64	1-7/32	33/64	3-17/64	1-19/32	2-9/32	2-27/32	1.5000	0.626				
UCFA 206-19	1-3/16																
UCFA 206-20	1-1/4																
UCFA 207	35	155	128	19	16	34	15	96	44.4	66	82	42.9	17.5	M12	UC 207 UC 207-20 UC 207-21 UC 207-22 UC 207-23	FA207	1.46 1.52 1.49 1.46 1.43
UCFA 207-20	1-1/4																
UCFA 207-21	1-5/16	6-7/64	5-3/64	3/4	5/8	1-11/32	19/32	3-25/32	1-3/4	2-19/32	3-15/64	1.6890	0.689				
UCFA 207-22	1-3/8																
UCFA 207-23	1-7/16																
UCFA 208	40	171	142	21	16	38	15	105	51.2	71	87	49.2	19	M12	UC 208 UC 208-24 UC 208-25	FA208	1.78 1.82 1.79
UCFA 208-24	1-1/2	47/64	5-19/32	53/64	5/8	1-1/2	19/32	4-9/64	2-1/64	2-51/64	3-27/64	1.9370	0.748				
UCFA 208-25	1-9/16																
UCFA 209	45	179	146	22	18	40	17	111	52.2	72	90	49.2	19	M14	UC 209 UC 209-26 UC 209-27 UC 209-28	FA209	2.03 2.13 2.09 2.05
UCFA 209-26	1-5/8																
UCFA 209-27	1-11/16	7-3/64	5-3/4	55/64	45/64	1-37/64	43/64	4-3/8	2-1/16	2-53/64	3-35/64	1.9370	0.748				
UCFA 209-28	1-3/4																
UCFA 210	50	189	155	22	18	40	17	116	54.6	76	94	51.6	19	M14	UC 210 UC 210-29 UC 210-30 UC 210-31 UC 210-32	FA210	2.23 2.35 2.30 2.25 2.21
UCFA 210-29	1-13/16																
UCFA 210-30	1-7/8	7-7/16	6-7/64	55/64	45/64	1-37/64	43/64	4-9/16	2-5/32	3	3-45/64	2.0315	0.748				
UCFA 210-31	1-15/16																
UCFA 210-32	2																
UCFA 211	55	216	182	25	20	44	17	133	58.4	86	104	55.6	22.2	M14	UC 211 UC 211-32 UC 211-33 UC 211-34 UC 211-35	FA211	3.41 3.56 3.50 3.45 3.39
UCFA 211-32	2																
UCFA 211-33	2-1/16	8-1/2	7-11/64	63/64	25/32	1-47/64	43/64	5-51/64	2-5/16	3-25/64	4-3/32	2.1890	0.874				
UCFA 211-34	2-1/8																
UCFA 211-35	2-3/16																
UCFA 212	60	240	202	29	20	48	19	140	68.7	100	118	65.1	25.4	M16	UC 212 UC 212-36 UC 212-37 UC 212-38 UC 212-39	FA212	4.29 4.42 4.35 4.27 4.20
UCFA 212-36	2-1/4																
UCFA 212-37	2-5/16	9-29/64	7-81/64	1-9/64	25/32	1-7/8	3/4	5-1/2	2-23/32	3-15/16	4-41/64	2.5630	1.000				
UCFA 212-38	2-3/8																
UCFA 212-39	2-7/16																
UCFA 213	65	250	210	30	20	50	19	155	69.7	102	122	65.1	25.4	M14	UC 213 UC 213-40 UC 213-41	FA213	5.21 5.29 5.15
UCFA 213-40	2-1/2	9-27/32	8-17/64	1-3/16	25/32	1-31/32	3/4	6-3/32	2-3/4	4-1/64	4-51/64	2.5630	1.000				
UCFA 213-41	2-9/16																

**UCHA 2 (normal-duty)**

**Screw Conveyor Hanger Units**

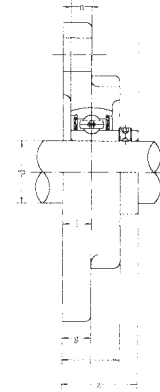
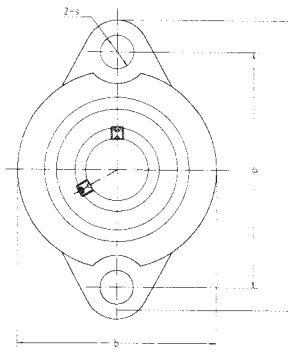
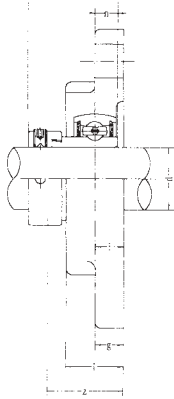


Unit No.	Dimensions <sup>mm</sup> <sub>inch</sub>										Bearing No.	Housing No.	Weight (kg)
	d	h	w	b	c	a	S	l	B	n			
UCHA 201	12	64	96	64	0	40		19	31	12.7	UC 201	HA204	0.73
UCHA 201-8	3/4										UC 201-8		0.72
UCHA 202	15										UC 202		0.72
UCHA 202-9	9/16										UC 202-9		0.72
UCHA 202-10	5/8	2-33/64	3-25/32	2-33/64	0	1-37/64	G-3/4	3/4	1.2205	0.500	UC 202-10		0.72
UCHA 203	17										UC 203		0.71
UCHA 203-11	11/16										UC 203-11		0.70
UCHA 204	20										UC 204		0.69
UCHA 204-12	3/4										UC 204-12		0.69
UCHA 205	25	64	103	78	0	40		19	34.1	14.3	UC 205	HA205	0.83
UCHA 205-13	13/16										UC 205-13		0.87
UCHA 205-14	7/8	2-33/64	4-1/16	3-5/64	0	1-37/64	G-3/4	3/4	1.3425	0.563	UC 205-14		0.86
UCHA 205-15	15/16										UC 205-15		0.84
UCHA 205-16	1										UC 205-16		0.83
UCHA 206	30	64	103	78	0	40		19	38.1	15.9	UC 206	HA206	0.83
UCHA 206-17	1-1/16										UC 206-17		0.86
UCHA 206-18	1-1/8	2-33/64	4-1/16	3-5/64	0	1-37/64	G-3/4	3/4	1.5000	0.626	UC 206-18		0.85
UCHA 206-19	1-3/16										UC 206-19		0.83
UCHA 206-20	1-1/4										UC 206-20		0.82
UCHA 207	35	70	116	92	0	40		19	42.9	17.5	UC 207	HA207	1.16
UCHA 206-20	1-1/4										UC 207-20		1.22
UCHA 207-21	1-5/16	2-3/4	4-9/16	3-5/8	0	1-37/64	G-3/4	3/4	1.6890	0.689	UC 207-21		1.19
UCHA 207-22	1-3/8										UC 207-22		1.16
UCHA 207-23	1-7/16										UC 207-23		1.13
UCHA 208	40	73	121	96	2	40		19	49.2	19	UC 208	HA208	1.32
UCHA 208-24	1-1/2	2-7/8	4-49/64	3-25/32	5/64	1-37/64	G-3/4	3/4	1.9370	0.748	UC 208-24		1.36
UCHA 208-25	1-9/16										UC 208-25		1.33
UCHA 209	45	82	136	108	5	48		21	49.2	19	UC 209	HA209	1.92
UCHA 209-26	1-5/8										UC 209-26		2.02
UCHA 209-27	1-11/64	3-15/64	5-23/64	4-1/4	13/64	1-57/64	G-1	53/64	1.9370	0.748	UC 209-27		1.98
UCHA 209-28	1-3/4										UC 209-28		1.94
UCHA 210	50	83	142	118	5	48		21	51.6	19	UC 210	HA210	1.90
UCHA 210-29	1-13/16										UC 210-29		2.02
UCHA 210-30	1-7/8	3-17/64	5-19/32	4-41/64	13/64	1-57/64	G1	53/64	2.0315	0.748	UC 210-30		1.97
UCHA 210-31	1-15/16										UC 210-31		1.92
UCHA 210-32	2										UC 210-32		1.88
UCHA 211	55	87	150	126	7	60		25	55.6	22.2	UC 211	HA211	2.61
UCHA 211-32	2										UC 211-32		2.76
UCHA 211-33	2-1/16	3-27/64	5-29/32	4-81/64	9/32	2-23/64	G1-1/4	63/64	2.1890	0.874	UC 211-33		2.70
UCHA 211-34	2-1/8										UC 211-34		2.65
UCHA 211-35	2-3/16										UC 211-35		2.59
UCHA 212	60	102	173	142	9	60		28	65.1	25.4	UC 212	HA212	3.54
UCHA 212-36	2-1/4										UC 212-36		3.67
UCHA 212-37	2-5/16										UC 212-37		3.59
UCHA 212-38	2-3/8	4-1/64	6-13/16	5-19/32	23/64	2-23/64	G1-1/4	1-7/64	2.5630	1.000	UC 212-38		3.52
UCHA 212-39	2-7/16										UC 212-39		3.45
UCHA 213	65	117	200	166	9.5	70		32	65.1	25.4	UC 213	HA213	5.80
UCHA 213-40	2-1/2	4-39/64	7-7/8	6-17/32	3/8	2-3/4	G1-1/2	1-17/64	2.5630	1.000	UC 213-40		5.89
UCHA 213-41	2-9/16										UC 213-41		5.80

**SALF 2**  
(with SA2 Bearing Insert)

**Flange Units**

**SBLF2**  
(with SB2 Bearing Insert)



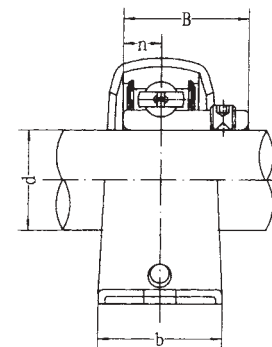
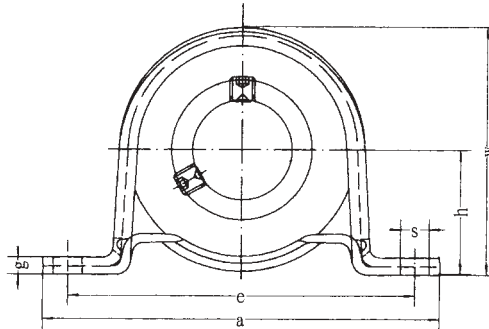
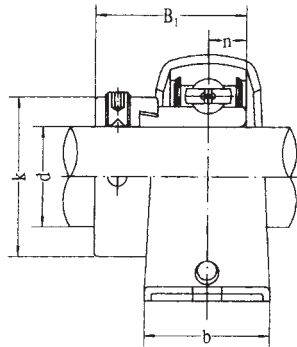
Unit No.	Dimensions <small>mm inch</small>									Bearing Size <small>mm inch</small>	SALF				SALF					Housing No.
	d	a	e	b	i	s	g	l	z		B <sub>1</sub>	n	Bearing No.	Weight (kg)	z	B	n	Bearing no.	Weight (kg)	
<b>SALF 201</b> SBLF	12	81	63.5	56	9.5	8	9.5	18	M6	31.6	28.6	6.5	SA 201		25.5	22	6	SB201	0.3	LF203
201-8	3/4											SA 201-8					SB201-8			
202	15											SA 202					SB202			
202-9	9/16	3-3/16	2-1/2	2-13/64	3/8	5/16	3/8	45/64	1/4	1-1/4	1.1260	0.2559	SA 202-9	0.3	1	0.8661	0.2362	SB202-9		
202-10	5/8												SA 202-10					SB202-10		
203	17												SA 203					SB203		
203-11	11/16												SA 203-11					SB203-11		
<b>SALF 204</b> SBLF	20	90	71.5	61	11	10	11	20	M8	34.5	31	7.5	SA 204		29	25	7	SB204	0.3	LF204
204-12	3/4	3-35/64	2-13/16	2-13/32	7/16	25/64	7/16	25/32	5/16	1-23/64	1.2204	0.2953	SA 204-12	0.4	1-9/64	0.9843	0.2756	SB204-12		
<b>SALF 205</b> SBLF	25	95	76	64	11	10	11	20	M8	34.5	31	7.5	SA 205		30.5	27	7.5	SB205	0.4	LF205
205-13	13/16												SA 205-13					SB205-13		
205-14	7/8	3-3/4	2-63/64	2-33/64	7/16	25/64	7/16	25/32	5/16	1-23/64	1.2204	0.2953	SA 205-14	0.5	1-13/64	1.0630	0.2953	SB205-14		
205-15	15/16												SA 205-15					SB205-15		
205-16	1												SA 205-16					SB205-16		
<b>SALF 206</b> SBLF	30	113	90.5	76	12	12	12	22.5	M10	38.7	35.7	9	SA 206		34	30	8	SB206	0.6	LF206
206-17	1-1/16												SA 206-17					SB206-17		
206-18	1-1/8	4-7/16	3-9/16	3	15/32	15/32	15/32	57/64	3/8	1-33/64	1.4055	0.3543	SA 206-18	0.7	1-11/32	1.1811	0.3150	SB206-18		
206-19	1-3/16												SA 206-19					SB206-19		
206-20	1-1/4												SA 206-20					SB206-20		
<b>SALF 207</b> SBLF	35	122	100	89	13	12	13	24	M10	42.4	38.9	9.5	SA 207		36.5	32	8.5	SB207	0.8	LF207
207-20	1-1/4												SA 207-20					SB207-20		
207-21	1-5/16	4-13/16	3-15/16	3-1/2	33/64	15/32	33/64	61/64	3/8	1-43/64	1.5315	0.3740	SA 207-21	0.9	1-7/16	1.2598	0.3346	SB207-21		
207-22	1-3/8												SA 207-22					SB207-22		
207-23	1-7/16												SA 207-23					SB207-23		



**SAPP2 F**  
(with SA2 Bearing Insert)

Pressed Housing Pillow Blocks  
(Light-duty)

**SBPP2 F**  
(with SB2 Bearing Insert)

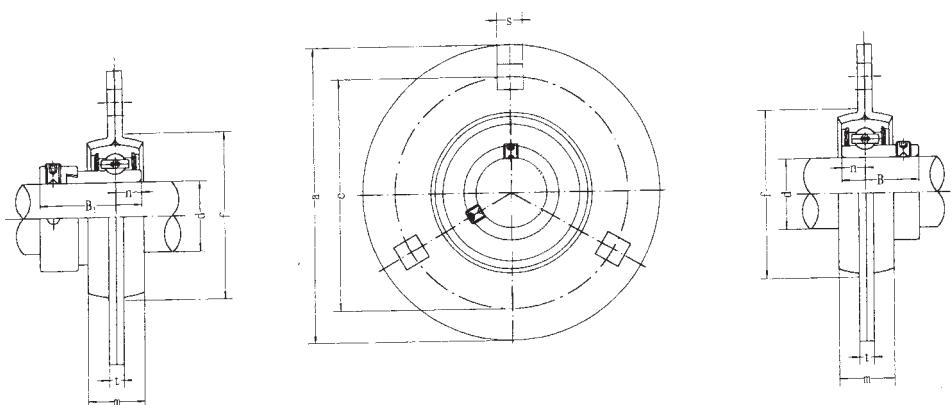


Unit No.	Dimensions <small>mm inch</small>								Bolt Used <small>mm inch</small>	SAPP			SBPP			Housing No.	
	d	h	a	e	b	s	g	w		B <sub>1</sub>	n	Bearing No.	Weight (kg)	B	n		Bearing no.
<b>SAPP</b> <b>SBPP</b> 201	12	22.2	86	68	25	9.5	3.2	43.8	M8	28.6	6.5	SA201		22	6	SB201	
201-8	3/4											SA201-8				SB201-8	
202	15											SA202				SB202	
202-9	9/16	7/8	3-3/8	2-43/64	63/64	3/8	0.126	1-23/32	5/16	1.1260	0.2559	SA202-9	0.19	0.8661	0.2362	SB202-9	0.16
202-10	5/8											SA202-10				SB202-10	
203	17											SA203				SB203	
203-11	11/16											SA203-11				SB203-11	
<b>SAPP</b> <b>SBPP</b> 204	20	25.4	98	76	32	9.5	3.2	50.5	M8	31	7.5	SA204		25	7	SB204	
204-12	3/4	1	3-27/32	2-63/64	1-1/4	3/8	0.126	1-63/64	5/16	1.2204	0.2953	SA204-12	0.23	0.9843	0.2756	SB204-12	0.23
<b>SBPP</b> <b>SBPP</b> 205	25	28.6	108	86	32	11.5	4	56.6	M10	31	7.5	SA205		27	7.5	SB205	
205-13	13/16											SA205-13				SB205-13	
205-14	7/8	1-1/8	4-1/4	3-25/64	1-1/4	29/64	0.157	2-15/64	3/8	1.2204	0.2953	SA205-14	0.32	1.0630	0.2953	SB205-14	0.28
205-15	15/16											SA205-15				SB205-15	
205-16	1											SA205-16				SB205-16	
<b>SAPP</b> <b>SBPP</b> 206	30	33.3	117	95	38	11.5	4	66.3	M10	35.7	9	SA206		30	8	SB206	
206-17	1-1/16											SA206-17				SB206-17	
206-18	1-1/8	1-5/16	4-39/64	3-47/64	1-1/2	29/64	0.157	2-39/64	3/8	1.4055	0.3543	SA206-18	0.50	1.1811	0.3150	SB206-18	0.47
206-19	1-3/16											SA206-19				SB206-19	
206-20	1-1/4											SA206-20				SB206-20	
<b>SAPP</b> <b>SBPP</b> 207	35	39.7	129	106	42	11.5	4.6	78	M10	38.9	9.5	SA207		32	8.5	SB207	
207-20	1-1/4											SA207-20				SB207-20	
207-21	1-5/16	1-9/16	5-5/64	4-5/32	1-21/32	29/64	0.181	3-1/8	3/8	1.5315	0.3740	SA207-21	0.71	1.2598	0.3346	SB207-21	0.57
207-22	1-3/8											SA207-22				SB207-22	
207-23	1-7/16											SA207-23				SB207-23	

**SBPF 2**  
(with SB2 Bearing Insert)

Pressed Housing Flange units  
(Light-duty)

**SAPF 2**  
(with SA2 Bearing Insert)



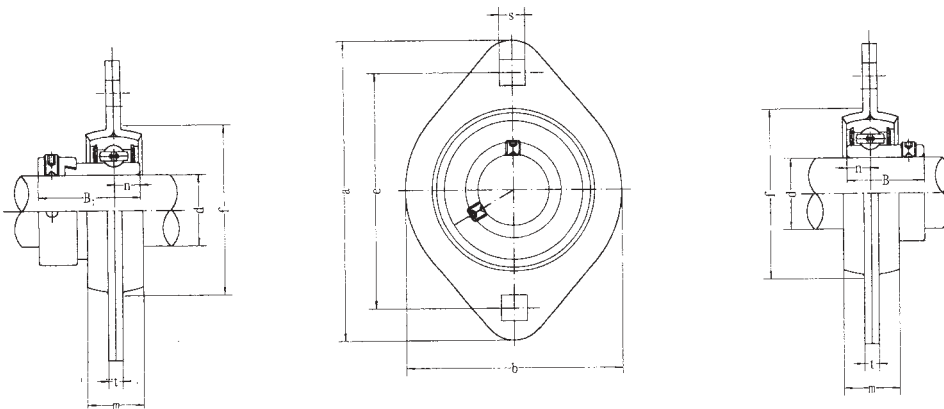
Unit No.	Dimensions <small>mm inch</small>							Bolt Used <small>mm inch</small>	SAPP			SBPP				Housing No.	
	d	a	e	m	s	t	f		B <sub>1</sub>	n	Bearing No.	Weight (kg)	B <sub>1</sub>	n	Bearing no.		Weight (kg)
<b>SAPF</b> <b>SBPF</b> 201	12	81	63.5	14	7.1	4	49	M6	28.6	6.5	SA201	0.3	22	6	SB201		
201-8	3/4										SA201-8				SB201-8		
202	15										SA202				SB202		
202-9	9/16	3-3/16	2-1/2	9/16	9/32	0.157	1-59/64	1/4	1.1260	0.2559	SA202-9	0.8661	0.2362		SB202-9	0.27	PFL203
202-10	5/8										SA202-10				SB202-10		
203	17										SA203				SB203		
203-11	11/16										SA203-11				SB203-11		
<b>SAPF</b> <b>SBPF</b> 204	20	90	71.5	16	9	4	56	M8	31	7.5	SA204	0.33	25	7	SB204	0.33	PF204
204-12	3/4	3-35/64	2-13/16	5/8	23/64	0.157	2-13/64	5/16	1.2204	0.2953	SA204-12	0.9843	0.2756		SB204-12		
<b>SAPF</b> <b>SBPF</b> 205	25	95	76	18	9	4	60	M8	31	7.5	SA205	0.42	27	7.5	SB205		
205-13	13/16										SA205-13				SB205-13		
205-14	7/8	3-3/4	2-63/64	23/32	23/64	0.157	2-23/64	5/16	1.2204	0.2953	SA205-14	1.0630	0.2953		SB205-14	0.38	PF205
205-15	15/16										SA205-15				SB205-15		
205-16	1										SA205-16				SB205-16		
<b>SAPF</b> <b>SBPF</b> 206	30	113	90.5	18	11	5.2	71	M10	35.7	9	SA206	0.65	30	8	SB206		
206-17	1-1/16										SA206-17				SB206-17		
206-18	1-1/8	4-7/16	3-9/16	23/32	7/16	0.205	2-51/64	3/8	1.4055	0.3543	SA206-18	1.1811	0.3150		SB206-18	0.62	PF206
206-19	1-3/16										SA206-19				SB206-19		
206-20	1-1/4										SA206-20				SB206-20		
<b>SAPF</b> <b>SBPF</b> 207	35	122	100	20	11	5.2	81	M10	38.9	9.5	SA207	0.9	32	8.5	SB207		
207-20	1-1/4										SA207-20				SB207-20		
207-21	1-5/16	4-13/16	3-15/16	25/32	7/16	0.205	3-3/16	3/8	1.5315	0.3740	SA207-21	1.2598	0.3346		SB207-21	0.82	PF207
207-22	1-3/8										SA207-22				SB207-22		
207-23	1-7/16										SA207-23				SB207-23		
<b>SAPF</b> <b>SBPF</b> 208	40	148	119	21	13.5	6.8	91	M12	43.7	11	SA208	1.15	34	9	SB208		
208-24	1-1/2	5-13/16	4-11/16	13/16	17/32	0.268	3-37/64	1/2	1.7205	0.4331	SA208-24	1.3386	0.3543		SB208-24	1.1	PF208 <sup>1</sup>
208-25	1-9/16										SA208-25				SB208-25		

<sup>1</sup>) PF208, with 4 Bores

**SAPFL2**  
(with SA2 Bearing Insert)

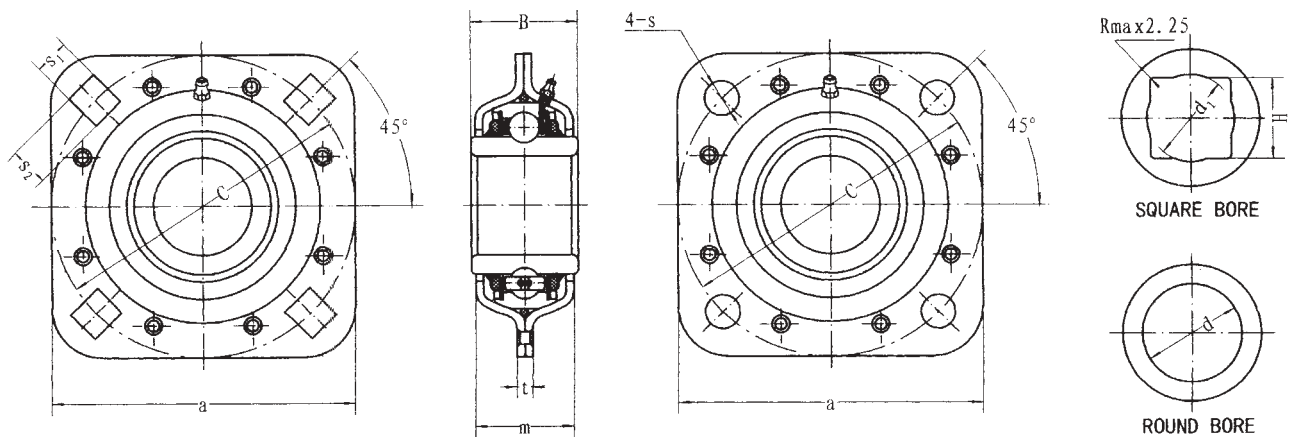
Pressed Housing Flange Units  
(Light-duty)

**SBPFL2**  
(with SB2 Bearing Insert)



Unit No.	Dimensions <small>mm inch</small>								Bolt Used <small>mm inch</small>	SAPP			SBPP			Housing No.		
	d	a	e	b	m	s	t	f (mm)		B <sub>1</sub>	n	Bearing No.	Weight (kg)	B	n		Bearing no.	Weight (kg)
SAPFL 201 SBPFL	12	81	63.5	59	14	7.1	4	49	M6	28.6	6.5	SA201		22	6	SB201		
201-8	3/4											SA201-8				SB201-8		
202	15											SA202				SB202		
202-9	9/16	3-3/16	2-1/12	2-21/64	9/16	1-59/64	0.157	1-59/64	1/4	1.1260	0.2559	SA202-9	0.22	0.8661	0.2362	SB202-9	0.19	PFL203
202-10	5/8											SA202-10				SB202-10		
203	17											SA203				SB203		
203-11	11/16											SA203-11				SB203-11		
SAPFL 204 SAPFL	20	90	71.5	67	16	9	4	56	M8	31	7.5	SA204		25	7	SB204	0.24	PFL204
204-12	3/4	3-35/64	2-13/16	2-41/64	5/8	23/64	0.157	2-13/64	5/16	1.2204	0.2953	SA204-12	0.24	0.9843	0.2756	SB204-12		
SBPFL 205 SBPFL	25	95	76	71	18	9	4	60	M8	31	7.5	SA205		27	7.5	SB205		
205-13	13/16											SA205-13				SB205-13		
205-14	7/8	3-3/4	2-63/64	2-51/64	23/32	23/64	0.157	2-23/64	5/16	1.2204	0.2953	SA205-14	0.32	1.0630	0.2953	SB205-14	0.28	PFL205
205-15	15/16											SA205-15				SB205-15		
205-16	1											SA205-16				SB205-16		
SAPFL 206 SBPFL	30	113	90.5	84	18	11	5.2	71	M10	35.7	9	SA206		30	8	SB206		
206-17	1-1/16											SA206-17				SB206-17		
206-18	1-1/8	4-7/16	3-9/16	3-5/16	23/32	7/16	0.205	2-51/64	3/8	1.4055	0.3543	SA206-18	0.41	1.1811	0.3150	SB206-18	0.38	PFL206
206-19	1-3/16											SA206-19				SB206-19		
206-20	1-1/4											SA206-20				SB206-20		
SAPFL 207 SBPFL	35	122	100	94	20	11	5.2	81	M10	38.9	9.5	SA207		32	8.5	SB207		
207-20	1-1/4											SA207-20				SB207-20		
207-21	1-5/16	4-13/16	3-15/16	3-45/64	25/32	7/16	0.205	3-3/16	3/8	1.5315	0.3740	SA207-21	0.52	1.2598	0.3346	SB207-21	0.50	PP207
207-22	1-3/8											SA207-22				SB207-22		
207-23	1-7/16											SA207-23				SB207-23		
SAPFL 208 SBPFL	40	148	119	100	21	13.5	6.8	91	M12	43.7	11	SA208	0.83	34	9	SB208		
208-24	1-1/2											SA208-24				SB208-24	0.80	PFL208
208-25	1-9/16	5-13/16	4-11/16	3-15/16	13/16	17/32	0.268	3-37/64	1/2	1.7205	0.4331	SA208-25		1.3386	0.3543	SB208-25		

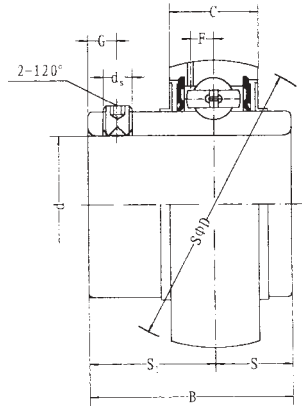
### Disk Harrow Units



Unit No.	Dimensions <small>mm inch</small>											C (KN) Dynamic	Co (KN) Static
	H	d	a	B	m	t	C	s	S <sub>1</sub>	S <sub>2</sub>	d <sub>i</sub>		
ST209-1-1/8	29.972	-	127	42.8	42	6	127	13.5	13.5	17.45	32.0	24.36	17.71
ST209-30S	31.353	-	127	42.8	42	6	127	13.5	13.5	17.45	34.5	24.36	17.71
ST209-1-1/4	32.766	-	127	42.8	42	6	127	13.5	13.5	17.45	34.5	24.36	17.71
ST491B	-	38.860	127	42.8	42	6	127	13.5	13.5	17.45	-	24.36	17.71
ST209-40R	-	40.878	127	42.8	42	6	127	13.5	13.5	17.45	-	24.36	17.71
ST491A	-	45.000	127	42.8	42	6	127	13.5	13.5	17.45	-	24.36	17.71
ST209-45R	-	45.340	127	42.8	42	6	127	13.5	13.5	17.45	-	24.36	17.71
ST491A <sup>1)</sup>	-	45.000	121	46	42	6	121	13.5	-	-	-	24.36	17.71
ST211-1-1/2	38.890	-	139.7	50.8	46	8	139.7	13.5	13.5	17.45	42.0	33.37	25.11
ST211-40S	40.878	-	139.7	50.8	46	8	139.7	13.5	13.5	17.45	43.1	33.37	25.11
ST211-50R	-	50.400	139.7	50.8	46	8	139.7	13.5	13.5	17.45	-	33.37	25.11
ST211-55R	-	55.575	139.7	50.8	46	8	139.7	13.5	13.5	17.45	-	33.37	25.11
ST211-1-3/4	-	45.212	139.7	55.6	46	8	139.7	13.5	13.5	17.45	-	33.37	25.11
ST211-2-3/16	-	55.575	139.7	55.6	46	8	139.7	13.5	13.5	17.45	-	33.37	25.11
ST211-1-15/16	-	49.238	139.7	69.9	46	8	139.7	13.5	13.5	17.45	-	33.37	25.11
ST211	-	55.000	139.7	55.6	46	8	139.7	13.5	13.5	17.45	-	33.37	25.11
ST740	-	55.562	139.7	55.6	45	7	139.7	13.5	13.5	17.45	-	33.37	25.11

<sup>1)</sup> Special Dimensions

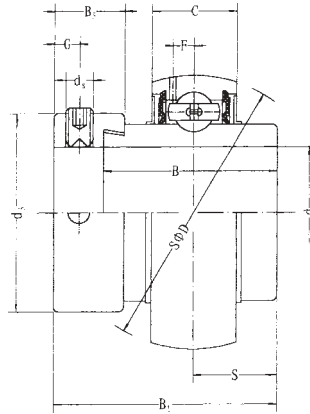
UC2 (normal-duty)



Bearing No.	Dimensions <sup>mm</sup> / <sub>inch</sub>									Rating N	Rating N	Weight (kg)
	d	D	B	C	S	S <sub>1</sub>	G	d <sub>s</sub>	F			
UC 201	12	47	31	17	12.7	18.3	4.8					0.20
UC 201-8	3/4	1.8504	1.2205	0.6693	0.500	0.720	0.189	1/4-28UNF	0.146	9880	6200	0.19
UC 202	15	47	31	17	12.7	18.3	4.8					0.19
UC 202-9	9/16	1.8504	1.2205	0.6693	0.500	0.720	0.189	1/4-28UNF	0.146	9880	6200	0.19
UC 202-10	5/8											0.19
UC 203	17	47	31	17	12.7	18.3	4.8					0.18
UC 203-11	1 1/16	1.8504	1.2205	0.6693	0.500	0.720	0.189	1/4-28UNF	0.146	9800	6200	0.17
UC 204	20	47	31	17	12.7	18.3	4.8					0.16
UC 204-12	3/4	1.8504	1.2205	0.6693	0.500	0.720	0.189	1/4-28UNF	0.146	9800	6200	0.16
UC 205	25	52	34.1	17	14.3	19.8	5					0.20
UC 205-13	1 3/16											0.24
UC 205-14	7/8	2.00472	1.3425	0.6693	0.563	0.780	0.197	1/4-28UNF	0.154	10780	6980	0.23
UC 205-15	15/16											0.21
UC 205-16	1											0.20
UC 206	30	62	38.1	19	15.9	22.2	5					0.32
UC 205-17	1-1/16											0.33
UC 205-18	1-1/8	2.4409	1.5000	0.7480	0.626	0.874	0.197	1/4-28UNF	0.197	14970	10040	0.34
UC 205-19	1-3/16											0.32
UC 206-20	1-1/4											0.31
UC 207	35	72	42.9	20	17.5	25.4	7					0.48
UC 207-20	1-1/4											0.54
UC 207-21	1-5/16	2.8346	1.6890	0.7874	0.689	1.000	0.276	5/16-24UNF	0.224	19750	13670	0.51
UC 207-22	1-3/8											0.48
UC 207-23	1-7/16											0.45
UC 208	40	80	49.2	21	19	30.2	8					0.64
UC 208-24	1-1/2	3.1496	1.9370	0.8268	0.748	1.189	0.315	5/16-24UNF	0.244	22710	15940	0.68
UC 208-25	1-9/16											0.65
UC 209	45	85	49.2	22	19	30.2	8					0.68
UC 209-26	1-5/8											0.78
UC 209-27	1-11/16	3.3465	1.9370	0.8661	0.748	1.189	0.315	5/16-24UNF	0.252	24360	17710	0.74
UC 209-28	1-3/4											0.70
UC 210	50	90	51.6	24	19	32.6	10					0.80
UC 210-29	1-13/16											0.92
UC 210-30	1-7/8	3.5433	2.0315	0.9449	0.748	1.283	0.394	3/8-24UNF	0.256	26980	19840	0.87
UC 210-31	1-15/16											0.82
UC 210-32	2											0.78
UC 211	55	100	55.6	25	22.2	33.4	10					1.11
UC 211-32	2											1.26
UC 211-33	2-1/16											1.20
UC 211-34	2-1/8	3.9370	2.1890	0.9843	0.874	1.315	0.394	3/8-24UNF	0.276	33370	25110	1.15
UC 211-35	2-3/16											1.09
UC 212	60	110	65.1	27	25.4	39.7	10					1.54
UC 212-36	2-1/4											1.67
UC 212-37	2-5/16	4.3307	2.5630	1.0630	1.000	1.563	0.394	3/8-24UNF	0.299	36740	27970	1.59
UC 212-38	2-3/8											1.52
UC 212-39	2-7/16											1.45
UC 213	65	120	65.1	28	25.4	39.7	10					1.85
UC 213-40	2-1/2	4.3307	2.5630	1.1024	1.000	1.563	0.394	3/8-24UNF	0.335	44010	34180	1.94
UC 213-41	2-9/16											1.85
UC 214	70	125	74.6	29	30.2	44.4	12					2.05
UC 214-42	2-5/8											2.26
UC 214-43	2-11/16	4.9213	2.9370	1.1417	1.189	1.748	0.472	7/16-20UNF	0.350	46790	37590	2.16
UC 214-44	2-3/4											2.06
UC 215	75	130	77.8	30	33.3	44.5	12					2.21
UC 215-45	2-13/16											2.46
UC 215-46	2-7/8	5.1181	3.0630	1.1811	1.311	1.752	0.472	7/16-20UNF	0.362	50850	41260	2.35
UC 215-47	2-15/16											2.24
UC 215-48	3											2.12
UC 216	80	140	82.6	32	33.3	49.3	12					2.80
UC 216-49	3-1/16											2.98
UC 216-50	3-1/8	5.5118	3.2520	1.2598	1.311	1.9409	0.472	7/16-20UNF	0.374	55040	45090	2.85
UC 216-51	3-3/16											2.72
UC 217	85	150	85.7	34	34.1	51.6	12					3.46
UC 217-52	3-1/4											3.68
UC 217-53	3-5/16	5.9055	3.3740	1.3386	1.343	2.031	0.472	7/16-20UNF	0.402	64010	53280	3.54
UC 217-55	3-7/16											3.25
UC 218	90	160	96	36	39.7	56.3	12					4.36
UC 218-56	3-1/2	6.2992	3.7795	1.4173	1.5630	2.217	0.472	1/2-20UNF	0.441	73830	60760	4.47

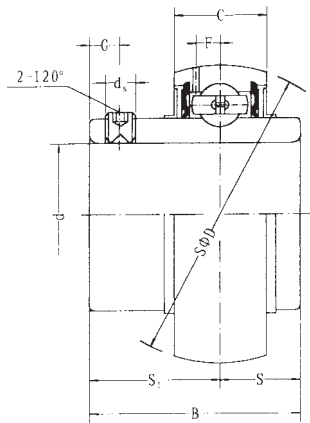
NA2 (normal-duty)

**Ball Bearings**  
(with eccentric locking collar)



Bearing No.	Dimensions <sup>mm</sup> / <sub>inch</sub>											Rating N	Rating N	Weight (kg)
	d	D	B <sub>1</sub>	B	C	S	D <sub>3</sub>	G	B <sub>5</sub>	d <sub>3</sub>	F			
NA 204	20	47	43.7	34.2	17	17.1	M6 X 1	4.8	13.5	33.3	3.7	9880	6200	0.23
NA 204-12	3/4	1.8504	1.720	1.3465	0.6693	0.673	1/4-28UNF	0.189	0.531	1.311	0.146			0.23
NA 205	25	52	44.4	34.9	17	17.5	M6 X 1	4.8	13.5	38.1	3.9			0.27
NA 205-13	13/16													0.32
NA 205-14	7/8													0.31
NA 205-15	15/16	2.0472	1.748	1.3740	0.6693	0.689	1/4-28UNF	0.189	0.531	1.500	0.154	10780	6980	0.29
NA 205-16	1													0.27
NA 206	30	62	48.4	36.5	19	18.3	M8 X 1	6	15.9	44.5	5.0			0.45
NA 206-17	1-1/16													0.50
NA 206-18	1-1/8	2.4409	1.906	1.4370	0.7480	0.720	5/16-24UNF	0.236	0.626	1.752	0.197	14970	10040	0.47
NA 206-19	1-3/16													0.45
NA 206-20	1-1/4													0.42
NA 207	35	72	51.1	37.6	20	18.8	M8 X 1	6.8	17.5	55.6	5.7			0.60
NA 207-20	1-1/4													0.67
NA 207-21	1-5/16	2.8346	2.012	1.4803	0.7874	0.740	5/16-24UNF	0.268	0.689	2.189	0.224	19750	13670	0.63
NA 207-22	1-3/8													0.60
NA 207-23	1-7/16													0.57
NA 208	40	80	56.3	42.8	21	21.4	M8 X 1	6.8	18.3	60.3	6.2			0.79
NA 208-24	1-1/2	3.1496	2.217	1.6850	0.8268	0.843	5/16-24UNF	0.268	0.720	2.374	0.244	22710	15940	0.84
NA 208-25	1-9/16													0.80
NA 209	45	85	56.3	42.8	22	21.4	M8 X 1	6.8	18.3	63.5	6.4			0.85
NA 209-26	1-5/8													0.96
NA 209-27	1-11/16	3.3465	2.217	1.6850	0.8661	0.843	5/16-24UNF	0.268	0.720	2.5000	0.252	24360	17710	0.91
NA 209-28	1-3/4													0.87
NA 210	50	90	62.7	49.2	24	24.6	M8 X 1	6.8	18.3	69.9	6.5			0.99
NA 210-29	1-13/16													1.14
NA 210-30	1-7/8	3.5433	2.469	1.9370	0.9449	0.969	5/16-24UNF	0.268	0.720	2.752	0.256	26980	19840	1.08
NA 210-31	1-15/16													1.02
NA 210-32	2													0.96
NA 211	55	100	71.4	55.5	25	27.8	M10 X 1	8	20.7	76.2	7.0			1.32
NA 211-32	2													1.52
NA 211-33	2-1/16	3.9370	2.811	2.1850	0.9843	1.094	3/8-24UNF	0.315	0.815	3.000	0.276	33370	25110	1.44
NA 211-34	2-1/8													1.37
NA 211-35	2-3/16													1.29
NA 212	60	110	77.8	61.9	27	31	M10 X 1	8	22.3	84.2	7.6			1.88
NA 212-36	2-1/4													2.04
NA 212-37	2-5/16	4.3307	3.063	2.4370	1.0630	1.220	3/8-24UNF	0.315	0.878	3.315	0.299	36740	27970	1.95
NA 212-38	2-3/8													1.90
NA 212-39	2-7/16													1.77
NA 213	65	120	85.7	68.6	28	34.1	M10 X 1	8.5	23.5	86	8.5			2.41
NA 213-40	2-1/2	4.7244	3.374	2.7008	1.1024	1.343	3/8-24UNF	0.335	0.925	3.386	0.335	44010	34180	2.51
NA 213-41	2-9/16													2.40
NA 214	70	125	85.7	68.6	29	34.1	M10 X 1	8.5	23.5	90	8.9			2.55
NA 214-42	2-3/8													2.79
NA 214-43	2-11/16	4.9213	3.374	2.7008	1.1417	1.343	3/8-24UNF	0.335	0.925	3.543	0.350	46790	37590	2.68
NA 214-44	2-3/4													2.56
NA 215	75	130	92.1	75	30	37.3	M10 X 1	8.5	23.5	102	9.2			2.84
NA 215-45	2-13/16													3.14
NA 215-46	2-7/8	5.1181	3.626	2.9528	1.1811	1.469	3/8-24UNF	0.335	0.925	4.016	0.362	50850	41260	3.01
NA 215-47	2-15/16													2.88
NA 215-48	3													2.74

UCX (medium-duty)

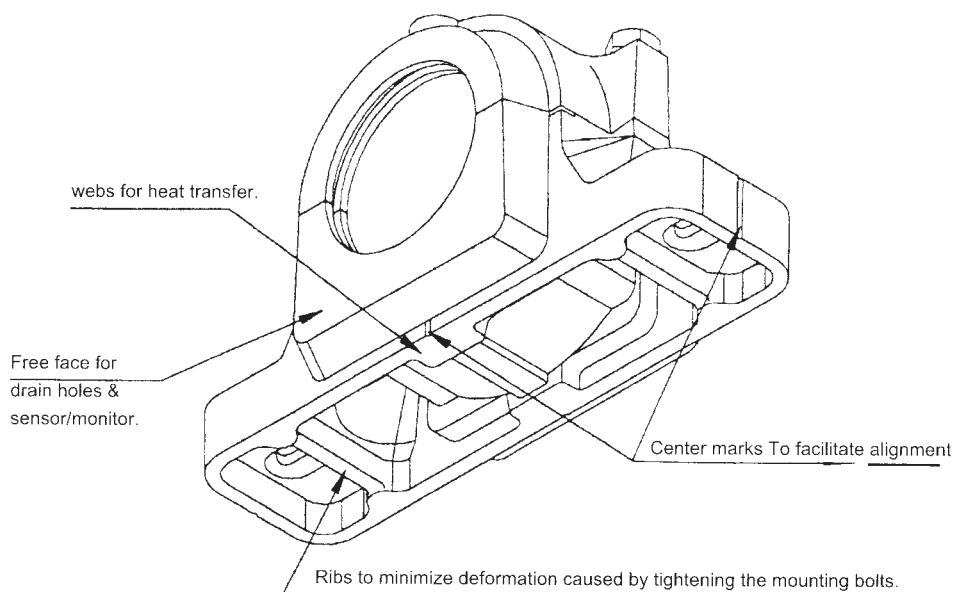
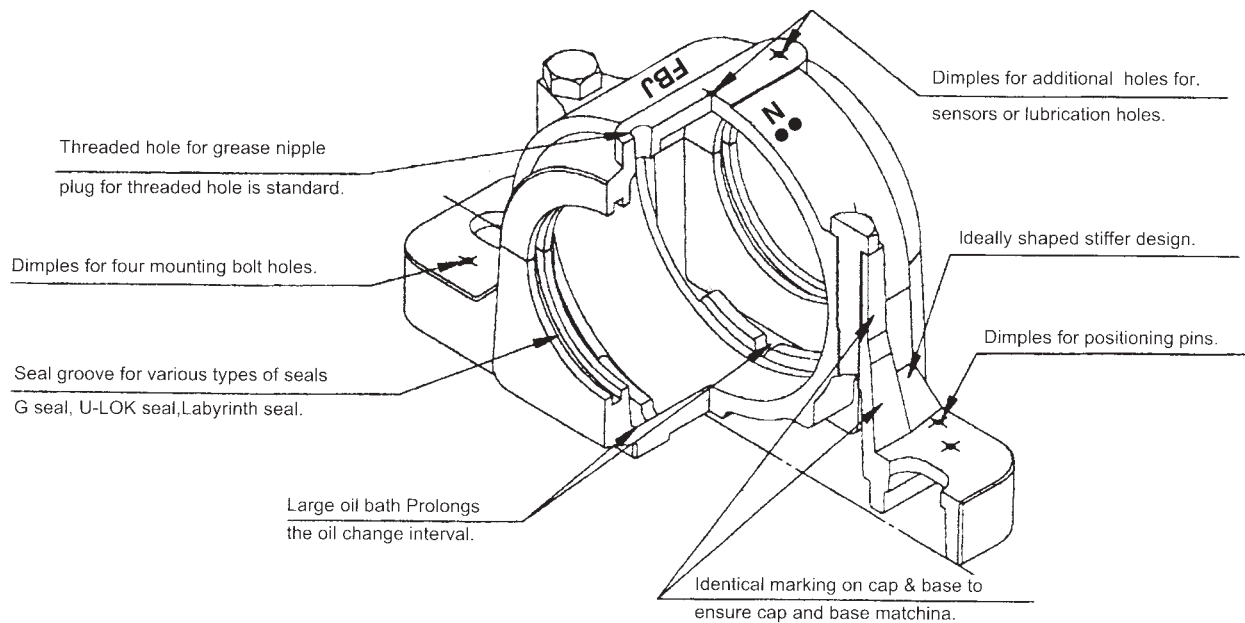


Bearing No.	Dimensions <sup>mm</sup> / <sub>inch</sub>									Rating N	Rating N	Weight (kg)
	d	D	B	C	S	S <sub>1</sub>	G	d <sub>g</sub>	F			
UCX 05	25	62	38.1	19	15.9	22.2	5	M6X1	5.0			
UCX 05-13	<sup>13</sup> / <sub>16</sub>											
UCX 05-14	<sup>7</sup> / <sub>8</sub>	2.4409	1.5000	0.7480	0.626	0.874	0.197	<sup>1</sup> / <sub>4</sub> -28UNF	0.197	14970	10040	0.39
UCX 05-15	<sup>15</sup> / <sub>16</sub>											
UCX 05-16	1											
UCX 06	30	72	42.9	20	17.5	25.4	7	M8X1	5.7			
UCX 06-17	<sup>1-1</sup> / <sub>16</sub>	2.8346	1.6890	0.7874	0.689	1.000	0.276	<sup>5</sup> / <sub>16</sub> -24UNF	0.224	19750	13670	0.68
UCX 06-18	<sup>1-1</sup> / <sub>8</sub>											
UCX 06-19	<sup>1-3</sup> / <sub>16</sub>											
UCX 07	35	80	49.2	21	19	30.2	8	M8X1	6.2			
UCX 07-21	<sup>1-5</sup> / <sub>16</sub>	3.1496	1.9370	0.8268	0.748	1.189	0.315	<sup>5</sup> / <sub>16</sub> -24UNF	0.244	22710	15940	0.82
UCX 07-22	<sup>1-3</sup> / <sub>8</sub>											
UCX 07-23	<sup>1-7</sup> / <sub>16</sub>											
UCX 08	40	85	49.2	22	19	30.2	8	M8X1	6.4			
UCX 08-24	<sup>1-1</sup> / <sub>2</sub>	3.3465	1.9370	0.8661	0.748	1.189	0.315	<sup>5</sup> / <sub>16</sub> -24UNF	0.252	24360	17710	0.93
UCX 08-25	<sup>1-9</sup> / <sub>16</sub>											
UCX 09	45	90	51.6	24	19	32.6	10	M10X1	6.5			
UCX 09-26	<sup>1-5</sup> / <sub>8</sub>	3.5433	2.0315	0.9449	0.748	1.283	0.394	<sup>3</sup> / <sub>8</sub> -24UNF	0.256	26980	19840	1.00
UCX 09-27	<sup>1-11</sup> / <sub>16</sub>											
UCX 09-28	<sup>1-3</sup> / <sub>4</sub>											
UCX 10	50	100	55.6	25	22.2	33.4	10	M10X1	7.0			
UCX 10-30	<sup>1-7</sup> / <sub>8</sub>	3.9370	2.1890	0.9843	0.874	1.315	0.394	<sup>3</sup> / <sub>8</sub> -24UNF	0.276	33370	25110	1.35
UCX 10-31	<sup>1-15</sup> / <sub>16</sub>											
UCX 11	55	110	65.1	27	25.4	39.7	10	M10X1	7.6			
UCX 11-33	<sup>2-1</sup> / <sub>16</sub>											
UCX 11-34	<sup>2-1</sup> / <sub>8</sub>	4.3307	2.5630	1.0630	1.000	1.563	0.394	<sup>3</sup> / <sub>8</sub> -24UNF	0.299	36740	27970	1.90
UCX 11-35	<sup>2-3</sup> / <sub>16</sub>											
UCX 12	60	120	65.1	28	25.4	39.7	10	M10X1	8.5			
UCX 12-38	<sup>2-3</sup> / <sub>8</sub>	4.3307	2.5630	1.1024	1.000	1.563	0.394	<sup>3</sup> / <sub>8</sub> -24UNF	0.335	44010	34180	2.27
UCX 12-39	<sup>2-7</sup> / <sub>16</sub>											
UCX 13	65	125	74.6	29	30.2	44.4	12	M12X1.5	8.9			
UCX 13-40	<sup>2-1</sup> / <sub>2</sub>	4.9213	2.9370	1.1417	1.189	1.748	0.472	<sup>1</sup> / <sub>2</sub> -20UNF	0.350	46790	37590	2.45
UCX 13-41	<sup>2-9</sup> / <sub>16</sub>											
UCX 14	70	130	77.8	30	33.3	44.5	12	M12X1.5	9.2			
UCX 14-42	<sup>2-3</sup> / <sub>8</sub>											
UCX 14-43	<sup>2-11</sup> / <sub>16</sub>	5.1181	3.0630	1.1811	1.311	1.752	0.472	<sup>1</sup> / <sub>2</sub> -20UNF	0.362	50850	41260	2.47
UCX 14-44	<sup>2-3</sup> / <sub>4</sub>											
UCX 15	75	140	82.6	32	33.3	49.3	12	M12X1.5	9.5			
UCX 15-45	<sup>2-13</sup> / <sub>16</sub>											
UCX 15-46	<sup>2-7</sup> / <sub>8</sub>	5.5118	3.2520	1.2598	1.311	1.9409	0.472	<sup>1</sup> / <sub>2</sub> -20UNF	0.374	55040	45090	3.11
UCX 15-47	<sup>2-15</sup> / <sub>16</sub>											
UCX 15-48	3											
UCX 16	80	150	85.7	34	34.1	51.6	12	M12X1.5	10.2			
UCX 16-49	<sup>3-1</sup> / <sub>16</sub>	5.9055	3.3740	1.3386	1.343	2.031	0.472	<sup>1</sup> / <sub>2</sub> -20UNF	0.402	64010	53280	3.79
UCX 16-50	<sup>3-1</sup> / <sub>8</sub>											
UCX 16-51	<sup>3-3</sup> / <sub>16</sub>											
UCX 17	85	160	96	36	39.7	56.3	12	M12X1.5	11.2			
UCX 17-53	<sup>3-5</sup> / <sub>16</sub>	6.2992	3.7795	1.4173	1.5630	2.217	0.472	<sup>1</sup> / <sub>2</sub> -20UNF	0.441	73830	60760	4.82
UCX 17-55	<sup>3-7</sup> / <sub>16</sub>											

## 9. BASIC STRUCTURE OF FBJ

# PLUMMER BLOCK HOUSINGS

### 1. STRUCTURE OF PLUMMER BLOCK HOUSINGS





Plummer Block Housings are cast and produced in accordance with ISO/R113-1994 standard. (B.S. 1642: 1969 standard, JIS B 1551 - 1968 standard) The following tables show materials and relative machining tolerance covering the housings and its accessories.

**10. MATERIALS**

10.1 HOUSING

MATERIAL	JIS		TENSILE STRENGTH kgf/mm <sup>2</sup>
	SYMBOL	SYMBOL	
GREY CAST IRON	FC 200	G 5501	20

10.1 ACCESSORIES

NAME	PART NO.	MATERIALS
FELT STRIP	FS	60%-80% WOOL,20%RAYON,DENSITY 0.25g/cm2
LOCATING RING	SR	MILD STEEL STRIP AISI 1010/ALUMINUM
HEXAGON BOLT	M	MILD STEEL AISI 1010
ZF SEAL	ZF	NBR
END COVER	500NA	NBR & MILD STEEL PLATE
END PLATE	P	MILD STEEL PLATE
END COVER	TSA	CAST IRON
END PLUG	EPR	NBR & MILD STEEL

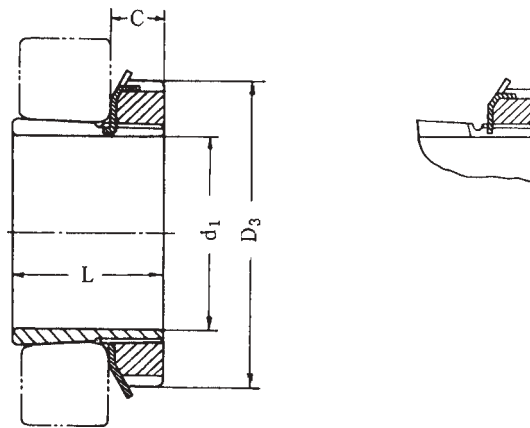
*Different types of sealins arrangements can be supplied on request.*

# Bearing Inserts And Housing Matching Table

Bearing Housing		UC	UK	NA	SA	SB
		UC	UK	NA	SA	SB
	P	UCP	UKP	NAP	SAP	SBP
	F	UCF	UKF	NAF	SAF	SBF
	FL	UCFL	UKFL	NAFL	SAFL	SBFL
	T	UCT	UKT	NAT	SAT	SBT
	FC	UCFC	UKFC	NAFC	SAFC	SBFC
	PH	UCPH	UKPH	NAPH	SAPH	SBPH
	PA	UCPA	UKPA	NAPA	SAPA	SBPA
	HA	UCHA	UKHA	NAHA		
	FB	UCFB	UKFB	NAFB		
	FA	UCFA	UKFA	NAFA		
	C	UCC	UKC	NAC	SAC	SBC
	LP	-	-	-	SALP	SBLP
	LF	-	-	-	SALF	SBLF
	FD	-	-	-	SAFD	SBFD
	PP	-	-	-	SAPP	SBPP
	PF	-	-	-	SAPF	SBPF
	PFL	-	-	-	SAPFL	SBPFL
	PFT	-	-	-	SAPFT	SBPFT

H 200  
HE 200  
HS 200  
HA 200

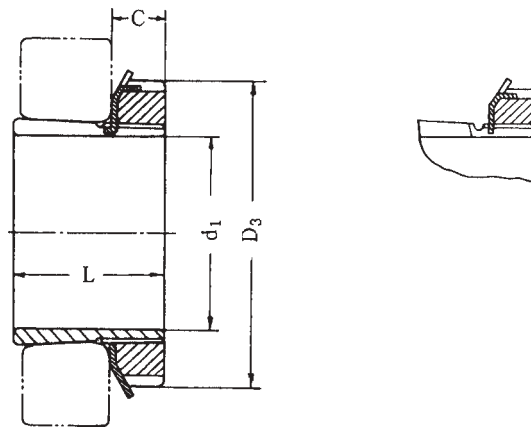
**Adapter Sleeves**  
(with lock nut and lock washer)



Adapter Sleeve Number				Dimensions							Weight (kg)
				d <sub>1</sub>				L mm	D <sub>3</sub> mm	C mm	
H	HE	HS	(HA)	H (mm)	HE (in)	HS (in)	HA (in)				
H 205 X	HE 205	-	-	20	3/4	-	-	26	38	8	0.070
06 X	06	-	HA 206	25	1	-	15/16	27	45	8	0.099
07 X	-	HS 207	07	30	-	1-1/8	1-3/16	29	52	9	0.125
H 208 X	HE 208	HS 208	-	35	1-1/4	1-3/8	-	31	58	10	0.174
09 X	09	09	HA 209	40	1-1/2	1-5/8	1-7/16	33	65	11	0.226
10 X	10	-	10	45	1-3/4	-	1-11/16	35	70	12	0.274
H 211 X	HE 211	HS 211	HA 211	50	2	1-7/8	1-15/16	37	75	12	0.308
12 X	-	12	-	55	-	2-1/8	-	38	80	13	0.346
13 X	13	13	13	60	2-1/4	2-3/8	2-3/16	40	85	14	0.401
H 214 X	-	-	-	60	-	-	-	41	92	14	0.550
15 X	HE 215	HS 215	HA 215	65	2-1/2	2-5/8	2-7/16	43	98	15	0.708
16 X	16	-	16	70	2-3/4	-	2-11/16	46	105	17	0.881
H 217 X	HE 217	HE 217	HE 217	75	3	2-7/8	2-15/16	50	110	18	1.02
18 X	-	18	-	80	-	3-1/8	-	52	120	18	1.18
19 X	19	-	-	85	3-1/4	-	-	55	125	19	1.37
H 220 X	HE 220	-	-	90	3-1/2	-	-	58	130	20	1.49
21 X	-	-	-	95	-	-	-	60	140	20	1.70
22 X	22	-	-	100	4	-	-	63	145	21	1.93

**H 300**  
**HE 300**  
**HS 300**  
**HA 300**

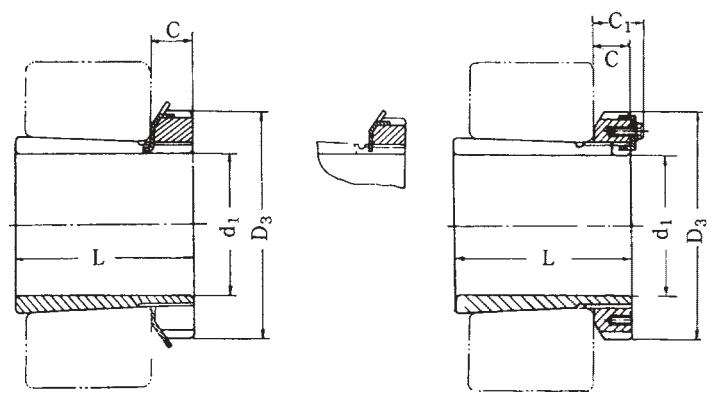
**Adapter Sleeves**  
 (with lock nut and lock washer)



Adapter Sleeve Number				Dimensions								Weight (kg)
				d <sub>1</sub>				L mm	D <sub>3</sub> mm	C mm		
H	HE	HS	(HA)	H (mm)	HE (in)	HS (in)	HA (in)					
H 305X 06X 07X	HE 305	-	-	20	3/4	-	-	29	38	8	0.075	
	-	06	-	HA 306	25	1	-	15/16	31	45	8	0.109
	-	-	HS 307	07	30	-	1-1/8	1-3/16	35	52	9	0.142
H 308X 09X 10X	HE 308	HS 308	-	35	1-1/4	1-3/8	-	36	58	10	0.189	
	-	09	09	HA 309	40	1-1/2	1-5/8	1-7/16	39	65	11	0.248
	-	10	-	10	45	1-3/4	-	1-11/16	42	70	12	0.302
H 311X 12X 13X	HE 311	HS 311	HA 311	50	2	1-7/8	1-15/16	45	75	12	0.345	
	-	-	12	-	55	-	2-1/8	-	47	80	13	0.393
	-	13	13	13	60	2-1/4	2-3/8	2-3/16	50	85	14	0.459
H 314X 15X 16X	-	-	-	60	-	-	-	52	92	14	0.723	
	HE 315	HS 315	HA 315	65	2-1/2	2-5/8	2-7/16	55	98	15	0.830	
	-	-	16	16	70	2-3/4	-	2-11/16	59	105	17	1.03
H 317X 18X 19X	HE 317	HE 317	HE 317	75	3	2-7/8	2-5/16	63	110	18	1.18	
	-	-	18	-	80	-	3-1/8	-	65	120	18	1.37
	-	19	-	-	85	3-1/4	-	-	68	125	19	1.56
H 320X 21X 22X	HE 320	-	-	90	3-1/2	-	-	71	130	20	1.69	
	-	-	-	-	95	-	-	74	140	20	1.93	
	-	22	-	-	100	4	-	-	77	145	21	2.18

**H 2300**  
**HE 2300**  
**HS 2300**  
**HA 2300**

**Adapter Sleeves**  
 (with lock nut and lock washer)



Adapter Sleeve Number				Dimensions							Weight (kg)
				d <sub>1</sub>				L mm	D <sub>3</sub> mm	C mm	
H	HE	HS	(HA)	H (mm)	HE (in)	HS (in)	HA (in)				
H 2305 X	HE 2305	-	-	20	3/4	-	-	35	38	8	0.087
06 X	06	-	HA 2306	25	1	-	15/16	38	45	8	0.126
07 X	-	HS 2307	07	30	-	1-1/8	1-3/16	43	52	9	0.165
H 2308 X	HE 2308	HS 2308	-	35	1-1/4	1-3/8	-	46	58	10	0.224
09 X	09	09	HA 2309	40	1 1/2	1-5/8	1-7/16	50	65	11	0.280
10 X	10	-	10	45	1-3/4	-	1-11/16	55	70	12	0.362
H 2311 X	HE 2311	HS 2311	HA 2311	50	2	1-7/8	1-15/16	59	75	12	0.420
12 X	-	12	-	55	-	2-1/8	-	62	80	13	0.480
13 X	13	13	13	60	2-1/4	2-3/8	2-3/16	65	85	14	0.556
H 2314	-	-	-	60	-	-	-	68	92	14	0.897
15 X	HE 2315	HS 2315	HA 2315	65	2-1/2	2-5/8	2-7/16	73	98	15	1.05
16 X	16	-	16	70	2-3/4	-	2-11/16	78	105	17	1.28
H 2317 X	HE 2317	HE 2317	HE 2317	75	3	2-7/8	2-15/16	82	110	18	1.45
18 X	-	18	-	80	-	3-1/8	-	86	120	18	1.70
19 X	19	-	-	85	3-1/4	-	-	90	125	19	1.94
H 2320 X	HE 2320	-	-	90	3-1/2	-	-	97	130	20	2.15
-	-	-	-	-	-	-	-	-	-	-	-
22 X	22	-	-	100	4	-	-	105	145	21	2.74

## ? MACHINE TOLERANCE:

Table 3.1 HOUSINGS BORE

(0.001mm)

BORE mm	G7	H7	H8	J7
10 - 18	+ 24	+ 18	+ 27	+ 10
	+ 6	- 0	- 0	- 8
18 - 30	+ 28	+ 21	+ 33	+ 12
	+ 7	- 0	- 0	- 9
30 - 50	+ 34	+ 25	+ 39	+ 14
	+ 9	- 0	- 0	- 11
50 - 80	+ 40	+ 30	+ 46	+ 18
	+ 10	- 0	- 0	- 12
80 - 120	+ 42	+ 35	+ 54	+ 22
	+ 12	- 0	- 0	- 13
120 - 180	+ 54	+ 40	+ 63	+ 26
	+ 14	- 0	- 0	- 14
180 - 250	+ 61	+ 46	+ 72	+ 30
	+ 15	- 0	- 0	- 16
250 - 315	+ 69	+ 52	+ 82	+ 36
	+ 17	- 0	- 0	- 16
315 - 400	+ 75	+ 57	+ 89	+ 39
	+ 18	- 0	- 0	- 18
400 - 500	+ 83	+ 63	+ 97	+ 43
	+ 20	- 0	- 0	- 20
500 - 620	+ 92	+ 69	+ 104	+ 46
	+ 23	- 0	- 0	- 23

Table 3.2 EXCEPT HOUSINGS BORE

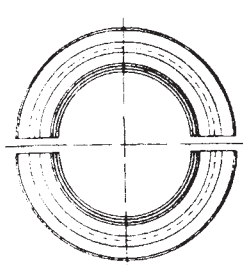
(0.001mm)

DIMENSION mm	H10	H11	H12	H13	h13
10 - 18	+ 70	+ 110	+ 180	+ 270	+ 0
	- 0	- 0	- 0	- 0	- 270
18 - 30	+ 84	+ 130	+ 210	+ 330	+ 0
	- 0	- 0	- 0	- 0	- 330
30 - 50	+ 100	+ 160	+ 250	+ 390	+ 0
	- 0	- 0	- 0	- 0	- 390
50 - 80	+ 120	+ 190	+ 300	+ 460	+ 0
	- 0	- 0	- 0	- 0	- 460
80 - 120	+ 140	+ 220	+ 350	+ 540	+ 0
	- 0	- 0	- 0	- 0	- 540
120 - 180	+ 160	+ 250	+ 400	+ 630	+ 0
	- 0	- 0	- 0	- 0	- 630
180 - 250	+ 185	+ 290	+ 460	+ 720	+ 0
	- 0	- 0	- 0	- 0	- 720
250 - 315	+ 210	+ 320	+ 520	+ 810	+ 0
	- 0	- 0	- 0	- 0	- 810
315 - 400	+ 230	+ 360	+ 570	+ 890	+ 0
	- 0	- 0	- 0	- 0	- 890

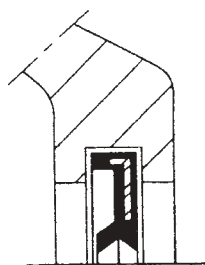
Table 3.3 SELECTION OF BEARING HOUSING TOLERANCES

Conditions		Examples	Tolerance symbol according to ISA
Indeterminate load direction	Normal and light loads, Axial displacement of the outer ring desirable	Electrical motors, Pumps Crankshaft main bearings	J7
	Shock loads, Temporary complete unloading	Journal boxes for rail vehicles	
Fixed outer ring load	All loads	Bearing applications in general, Journal boxes for rail vehicles	H7
	Normal and light loads, Load under	Line shaftings	H8
	Heat supplide through the shaft	Dryer cylinders	G7

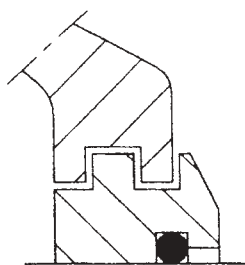
## ? SEALING DEVICES



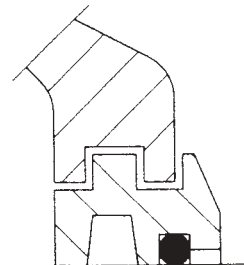
Seal Kit



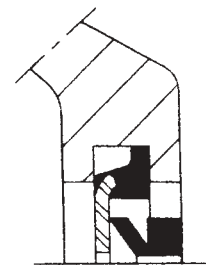
U-LOK Seal, U5xx



TS-U seal, TS5xxU



TS-UF seal, TS5xxUF



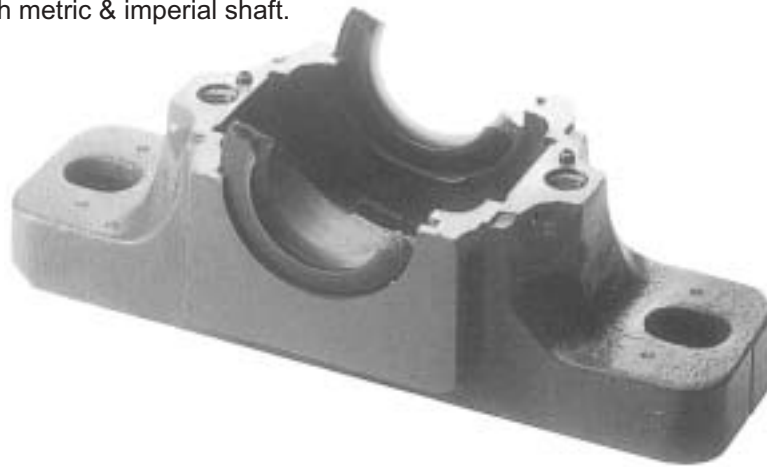
V-ring seal, TSNA5xx

Table 3.2 EXCEPT HOUSINGS BORE

(0.001mm)

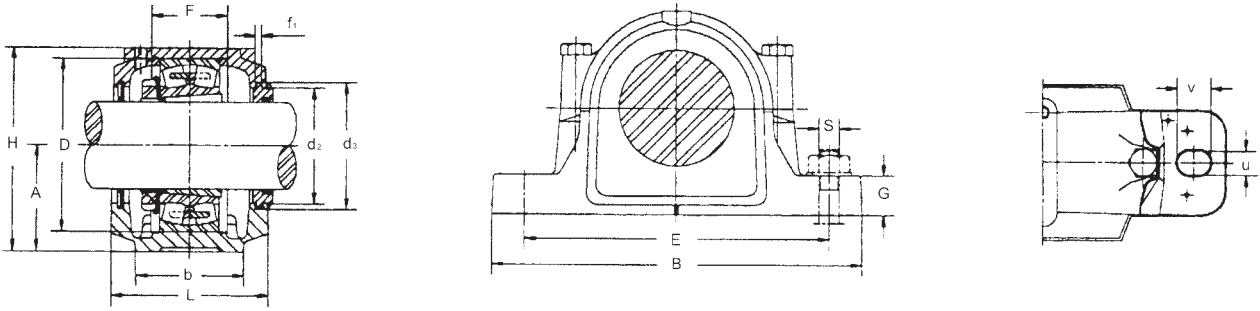
Shaft Dia	Housing	U-Lok Kit	Closed Cover	Labyrinth Seal	Open V'Ring Kit
20	SNK505	U505	505A	–	TA505A
	SNK506-605	U605	506A	–	TA605A
25	SNK506-605	U506	506A	TS506-U	TA506A
	SNK507-606	U606	507A	TS606-U	TA606A
30	SNK507-606	U507	507A	TS507-U	TA507A
	SNK508-607	U607	508A	TS607-U	TA607A
35	SNK508-607	U508	508A	TS508-U	TA508A
	SNK510-608	U608	510A	TS608-U	TA608A
40	SNK509	U509	509A	TS509-U	TA509A
	SNK511-609	U609	511A	TS609-U	TA609A
45	SNK510-608	U510	510A	TS510-U	TA510A
	SNK512-610	U610	512A	TS610-U	TA610A
50	SNK511-609	U511	511A	TS511-U	TA511A
	SNK513-611	U611	513A	TS611-U	TA611A
55	SNK512-610	U512	512A	TS512-U	TA512A
	SNK515-612	U612	515A	TS612-U	TA612A
60	SNK513-611	U513	513A	TS513-U	TA513A
	SNK516-613	U613	516A	TS613-U	TA613A
65	SNK515-612	U515	515A	TS515-U	TA515A
	SNK518-615	U615	518A	TS615-U	TA615A
70	SNK516-613	U516	516A	TS516-U	TA516A
	SNK519-616	U616	519A	TS616-U	TA616A
75	SNK517	U517	517A	TS517-U	TA617A
	SNK520-617	U617	520A	TS617-U	TA517A
80	SNK518-615	U518	518A	TS518-U	TA518A
85	SNKJ519-616	U519	519A	TS519-U	TA519A
90	SNK522-619	U619	522A	TS619-U	TA619A
	SNK520-617	U520	520A	TS520-U	TA520A
100	SNK522-619	U522	522A	TS522-U	TA522A
110	SNK524-620	U524	524A	TS524-U	TA524A
115	SNK526	U526	526A	TS526-U	TA526A
125	SNK528	U528	528A	TS528-U	TA528A
135	SNK530	U530	530A	TS530-U	TA530A
140	SNK532	U532	532A	TS532-U	TA532A
		4 Halves per kit	Qty 1	Qty 2	2 sets per kit

TSNG Seal can fit both metric & imperial shaft.



TSNA-G Seal	Shaft Dia. mm	Shaft Dia. mm		TSNA-G Seal	Shaft Dia. mm	Shaft Dia. mm	
TSNG 507	30	1-1/8	1-3/16	TSNG 607	30	1-1/8	1-3/16
TSNG 508	35	1-5/16	1-3/8	TSNG 608	35	1-5/16	1-3/8
TSNG 509	40	1-1/2	1-9/16	TSNG 609	40	1-1/2	1-9/16
TSNG 510	45	1-11/16	1-3/4	TSNG 610	45	1-11/16	1-3/4
TSNG 511	50	1-15/16	2	TSNG 611	50	1-15/16	2
TSNG 512	55	2-1/8	2-3/16	TSNG 612	55	2-1/8	2-3/16
TSNG 513	60	2-1/4	2-5/16	TSNG 613	60	2-1/4	2-5/16
TSNG 515	65	2-7/16	2-1/2	TSNG 615	65	2-7/16	2-1/2
TSNG 516	70	2-11/16	2-3/4	TSNG 616	70	2-11/16	2-3/4
TSNG 517	75	2-15/16	3	TSNG 617	75	2-15/16	3
TSNG 518	80	3-3/16	3-1/4	TSNG 619	85	3-5/16	3-3/8
TSNG 519	85	3-5/16	3-3/8	TSNG 620	90	3-7/16	3-1/2
TSNG 520	90	3-7/16	3-1/2	-	-	-	-
TSNG 522	100	3-15/16	4	-	-	-	-
TSNG 524	110	4-3/16	4-1/4	-	-	-	-
TSNG 526	115	4-7/16	4-1/2	-	-	-	-
TSNG 528	125	4-15/16	5	-	-	-	-
TSNG 530	135	5-3/16	5-1/4	-	-	-	-
TSNG 532	140	5-7/16	5-1/2	-	-	-	-





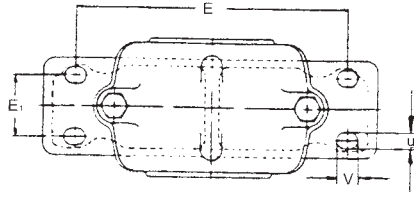
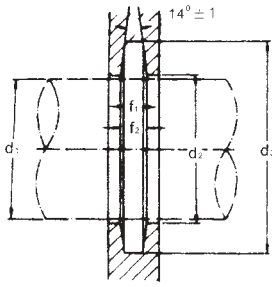
HOUSING NO.	L	b	f1	F	D	d2	d3	H	A	G	E	B	v	u	S	Weight (kg)
SNK505	67	46	5	25	52	31.5	39.5	72	40	19	130	165	20	13	10	1.50
SNK506-605	77	52	5	32	62	36.5	44.5	87	50	22	150	185	22	13	10	2.00
SNK507-606	82	52	5	34	72	46.5	54.5	92	50	22	150	185	20	13	10	2.32
SNK509	85	60	5	30	85	56.5	64.5	108	60	25	170	205	20	15	12	3.10
SNK510-608	90	60	5	41	90	62	70.5	112	60	25	170	205	20	15	12	3.31
SNK511-609	95	70	5	44	100	67	75.5	126	70	28	210	255	23	18	16	4.54
SNK512-610	105	70	5	48	110	72	80.5	132	70	30	210	255	23	18	16	5.47
SNK531-611	110	80	5	51	120	77	85.5	147	80	30	230	275	24	18	16	6.60
SNK515-612	115	80	5	56	130	87	95.5	153	80	30	230	280	26	18	16	7.30
SNK516-613	120	90	5	58	140	92.5	101	174	95	32	260	315	29	22	20	9.95
SNK517	125	90	5	61	150	97.5	106	180	95	32	260	320	30	22	20	10.82
SNK517	125	90	5	61	150	97.5	106	180	95	32	260	320	30	22	20	10.82
SNK518-615	140	100	5	65	160	102.5	111	190	100	35	290	345	27	22	20	13.30
SNK519-616	145	100	6	68	170	131	141	208.5	112	35	290	345	27	22	20	15.00
SNK520-617	160	110	6	70	180	137.5	147.5	214.5	112	40	320	380	32	26	24	18.80
SNK522-619	175	120	6	80	200	147.5	157.5	238.5	125	45	350	410	32	26	24	23.5
SNK524-620	185	120	6	86	215	157.5	167.5	271	140	45	350	410	32	26	24	28.00
SNK526	190	130	6	90	230	167.5	177.5	290	150	50	380	445	35	28	24	34.00
SNK528	205	150	6	98	250	177.5	187.5	302	150	50	420	500	42	35	30	41.50
SNK530	220	160	6	106	270	192.5	202.5	323	160	60	450	530	42	35	30	50.50
SNK532	235	160	6	114	290	202.5	212.5	344	170	60	470	550	42	35	30	56.70

- SNK/SNU housings can be equipped with TSNA-G, U-LOK, TS-U & TS-UF seals.
- SNU/SSNU/SNA housings are available.
- Weight is only for reference.

Shaft Dia. mm	Housing No.	Bearing No.		Adapter Sleeve	Sealing Arrangement*		End Cover	Locating Ring	
		Self-Alig	Spherical		Standard	Alternative		Number	O'ty
		Ball	Roller		U-Lok	TSNA-G			
20	SNK505	1205K	–	H205	U505	–	505A	52X10	1
	SNK505	2205K	–	H305	U505	–	506A	52X7	1
	SNK506-605	1305K	–	H305	U605	–	506A	62X7.5	2
	SNK506-605	2305K	–	H2305	U605	–	506A	62X8	1
25	SNK506-605	1206K	–	H206	U506	–	506A	62X8	2
	SNK506-605	2206K	–	H306	U506	–	506A	62X6	2
	SNK507-606	1306K	–	H306	U606	–	507A	72X7.5	2
	SNK507-606	2306K	–	H2306	U606	–	507A	72X7	1
30	SNK507-606	1207K	–	H207	U507	TSNG507	507A	72X8.5	2
	SNK507-606	2207K	22207K	H307	U507	TSNG507	507A	72X5.5	2
	SNK508-607	1307K	–	H307	U607	TSNG507	508A	80X9	2
	SNK508-607	2307K	–	H2307	U607	TSNG507	508A	80X8	1
35	SNK508-607	1208K	–	H208	U508	TSNG508	508A	80X10.5	2
	SNK508-607	2208K	22208K	H308	U508	TSNG508	508A	80X8	2
	SNK510-608	1308K	21308K	H308	U608	TSNG508	510A	90X9	2
	SNK510-608	2308K	22308K	H2308	U608	TSNG508	510A	90X8	1
40	SNK509	1209K	–	H209	U509	TSNG509	509A	85X5.5	2
	SNK509	2209K	22209K	H309	U509	TSNG509	509A	85X7	1
	SNK511-609	1309K	21309K	H309	U609	TSNG609	511A	100X9.5	2
	SNK511-609	2309K	22309K	H2309	U609	TSNG609	511A	100X8	1
45	SNK510-608	1210K	–	H210	U510	TSNG510	510A	90X10.5	2
	SNK510-608	2210K	22210K	H310	U510	TSNG510	510A	90X9	2
	SNK512-610	1310K	21310K	H310	U610	TSNG610	512A	110X10.5	2
50	SNK512-610	2310K	22310K	H2310	U610	TSNG610	512A	110X8	1
	SNK511-609	1211K	–	H211	U511	TSNG511	511A	100X11.5	2
	SNK511-609	2211K	22211K	H311	U511	TSNG511	511A	100X9.5	2
	SNK513-611	1311K	21311K	H311	U611	TSNG611	513A	120X11	2
	SNK513-611	2311K	22311K	H2311	U611	TSNG611	513A	120X8	1
55	SNK512-610	1212K	–	H212	U512	TSNG512	512A	110X13	2
	SNK512-610	2212K	22212K	H312	U512	TSNG512	512A	110X10	2
	SNK515-612	1312K	21312K	H312	U612	TSNG612	515A	130X12.5	2
	SNK515-612	2312K	22312K	H2312	U612	TSNG612	515A	130X10	1
60	SNK513-611	1213K	–	H213	U513	TSNG513	513A	120X14	2
	SNK513-611	2213K	22213K	H313	U513	TSNG513	513A	120X10	2
	SNK516-613	1313K	21313K	H313	U613	TSNG613	516A	140X12.5	2
	SNK516-613	2313K	22313K	H2313	U613	TSNG613	516A	140X10	1
65	SNK515-612	1215K	–	H215	U515	TSNG515	515A	130X15.5	2
	SNK515-612	2215K	22215K	H315	U515	TSNG515	515A	130X12.5	2
	SNK518-615	1315K	21315K	H315	U615	TSNG515	518A	160X14	2
	SNK518-615	2315K	22315K	H2315	U615	TSNG615	518A	160X10	1

Shaft Dia. mm	Housing No.	Bearing No.		Adapter Sleeve	Sealing Arrangement*		End Cover	Locating Ring	
		Self-Alig	Spherical		Standard	Alternative		Number	O'ty
		Ball	Roller		U-Lok	TSNA-G			
70	SNK516-613	1216K	–	H216	U516	TSNG516	516A	140X16	2
	SNK516-613	2216K	22216K	H316	U516	TSNG516	516A	140X12.5	2
	SNK519-616	1316K	21316K	H316	U616	TSNG616	519A	170X14.5	2
	SNK516-616	2216K	22316K	H2316	U616	TSNG616	519A	170X10	1
75	SNK517	1217K	–	H217	U517	TSNG517	517A	150X16.5	2
	SNK517	2217K	22217K	H317	U517	TSNG517	517A	150X12.5	2
	SNK520-617	1317K	21317K	H317	U617	TSNG617	520A	180X14.5	2
	SNK520-617	2317K	22317K	H2317	U617	TSNG617	520A	180X10	1
80	SNK518-615	1218K	–	H218	U518	TSNG518	518A	160X17.5	2
	SNK518-615	2218K	22218K	H318	U518	TSNG518	518A	160X12.5	2
	SNK518-615	–	23218K	H2318	U518	TSNG518	518A	160X12.5	1
85	SNK519-616	1219K	–	H219	U519	TSNG519	519A	170X18	2
	SNK519-616	2219K	22219K	H319	U519	TSNG519	519A	170X12.5	2
90	SNK522-619	–	22319K	H2319	U619	TSNG619	522A	200X13	1
	SNK520-617	1220K	–	H220	U520	TSNG520	520A	180X18	2
	SNK520-617	2220K	22220K	H320	U520	TSNG520	520A	180X12	2
	SNK520-617	–	23220K	H2320	U520	TSNG520	520A	180X9.7	1
	SNK524-620	–	22320K	H2320	U620	TSNG620	524A	215X13	1
100	SNK522-619	1222K	–	H222	U522	TSNG522	522A	200X21	2
	SNK522-619	2222K	22222K	H322	U522	TSNG522	522A	200X13.5	2
	SNK522-619	–	23222K	H2322	U522	TSNG522	522A	200X10.2	1
110	SNK524-620	–	22224K	H3124	U524	TSNG524	524A	215X14	2
	SNK524-620	–	23224K	H2324	U524	TSNG524	524A	215X10	1
115	SNK526	–	22226K	H3126	U526	TSNG526	526A	230X13	2
	SNK526	–	23226K	H2326	U526	TSNG526	526A	230X10	1
125	SNK528	–	22228K	H3128	U528	TSNG528	528A	250X15	2
	SNK528	–	23228K	H2328	U528	TSNG528	528A	250X10	1
135	SNK530	–	22230K	H3130	U530	TSNG530	530A	270X16.5	2
	SNK530	–	23230K	H2330	U530	TSNG530	530A	270X10	1
140	SNK532	–	22232K	H3132	U532	TSNG532	532A	290X17	2
	SNK532	–	23232K	H2332	U532	TSNG532	532A	290X10	1

NOMINAL DIMENSIONS (mm)																
HOUSING NO.	SHAFT DIA. d1		D H8	B	b	G	F H13	A h13	L	H	E	E1	L1	X	Z	d2H12
	METRIC	INCH														METRIC
SN 505	20	3/4	52	165	46	22	25	40	67	75	130	25	-	22	-	21.5
SN 506	25	1	62	185	52	22	30	50	77	90	150	25	-	22	-	26.5
SN 507	30	1-1/8	72	185	52	22	33	50	82	95	150	25	-	24	-	31.5
SN 508	35	1-1/4	80	205	60	25	33	60	85	110	170	30	-	26	-	36.5
SN 509 SSN	40	1-1/2	85	205	60	25	31	60	85	112	170	30	-	28	-	41.5
SN 510 SSN	45	1-3/4	90	205	60	25	33	60	90	115	170	30	-	28	-	46.5
SN 511 SSN	50	2	100	255	70	28	33	70	95	130	210	35	160	30	54	51.5
SN 512 SSN	55	2-1/8	110	255	70	30	38	70	105	135	210	35	172	32	62	56.5
SN 513 SSN	60	2-1/4	120	275	80	30	43	80	110	150	230	40	172	36	62	62
SN 515 SSN	65	2-1/2	130	280	80	30	41	80	115	155	230	40	182	38	68	67
SN 516 SSN	70	2-3/4	140	315	90	32	43	95	120	175	260	50	184	40	68	72
SN 517 SSN	75	3	150	320	90	32	46	95	125	185	260	50	184	42	70	77
SN 518 SSN	80	3-1/4	160	345	100	35	62.4	100	145	195	290	50	204	50	81	82
SN 519 SSN	85	-	170	345	100	35	53	112	140	210	290	50	-	-	-	87
SN 520 SSN	90	3-1/2	180	380	110	40	70.3	112	160	218	320	60	224	54	90	92
SN 522 SSN	100	4	200	410	120	45	80	125	175	240	350	70	232	60	92	102
SN 524 SSN	110	4-1/4	215	410	120	45	86	140	185	270	350	70	248	64	95	113
SN 526 SSN	115	4-1/2	230	445	130	50	90	150	190	290	380	70	268	64	100	118
SN 528 SSN	125	5	250	500	150	50	98	150	205	305	420	80	286	70	108	128
SN 530 SSN	135	5-1/4	270	530	160	60	106	160	220	325	450	90	304	76	113	138
SN 532 SN	140	5-1/2	290	550	160	60	114	170	235	345	470	90	320	80	122	143



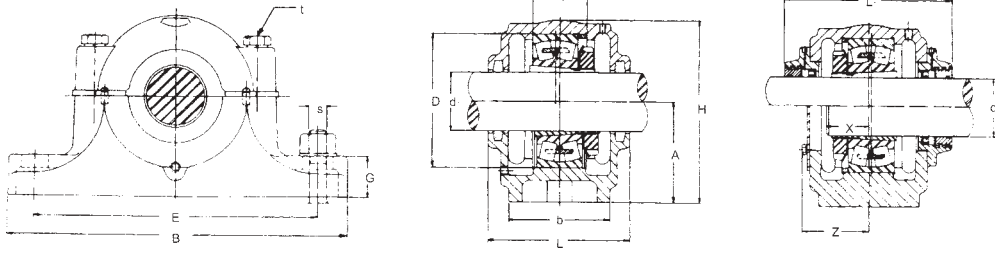
**NOTES:**

Foot of standard housing SSN type is solid without mounting holes or can be precast as 2-bolt (with prefix T) or 4-bolt mounting holes (with prefix F).

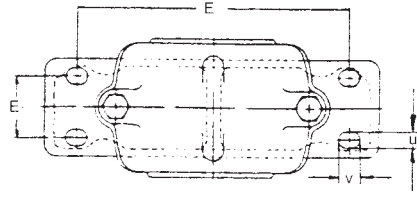
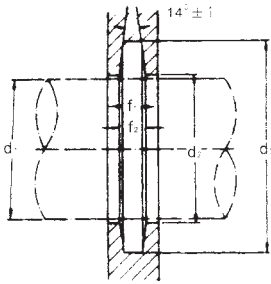
Taconite seal will be supplied as optional for perfect arrangement in severe operating conditions to prevent contamination from fine abrasive dust.

ZF rubber seals can be supplied upon request.

d <sub>3</sub> H12	t	f <sub>1</sub> H13	f <sub>2</sub> H8	u	v	S		WEIGHT (kg)		BEARING NO.		ADAPTER SLEEVE		LOCATING RING	
						2 bolt	4 bolt	SN5	SSN5	SELF-ALIG BALL	SPHERICAL ROLLER	METRIC	INCH	NUMBER	QTY
31	M8	3	4.2	15	20	M20	M8	1.5	2.3	1205K	-	H205	HE205	52X7	2
										2205K	22205K	H305	HE305	52X7	1
38	M8	4	5.4	15	20	M12	M10	1.74	2.8	1206K	-	H206	HE206	62X7	2
										2206K	22206K	H606	HE606	62X10	1
43	M10	4	5.4	15	20	M12	M10	1.9	3.2	12067K	-	H207	HS207	72X8	2
										2207K	22207K	H307	HS307	72X10	1
48	M10	4	5.4	15	20	M12	M10	2.63	3.2	1208K	-	H208	HE208	80X7.5	2
										2208K	22208K	H308	HE308	80X10	1
53	M10	4	5.4	15	20	M12	M10	2.64	3.7	1209K	-	H209	HE209	85X6	2
										2209K	22209K	H309	HE309	85X8	1
58	M10	4	5.4	15	20	M12	M10	2.80	3.8	1210K	-	H210	HE210	90X6.5	2
										2210K	22210K	H310	HE310	90X10	1
67	M12	5	6.9	18	23	M16	M12	4.32	6.2	1211K	-	H211	HE211	100X6	2
										2211K	22211K	H311	HE311	100X8	1
72	M12	5	6.9	18	23	M16	M12	4.99	6.5	1212K	-	H212	HS212	110X8	2
										2212K	22212K	H312	HS312	110X10	1
77	M12	5	6.8	18	23	M16	M12	5.64	8.3	1213K	-	H213	HE213	120X10	2
										2213K	22213K	H313	HE313	120X12	1
82	M12	5	6.8	18	23	M16	M12	6.19	9.0	1215K	-	H215	HE215	130X8	2
										2215K	22215K	H315	HE315	130X10	1
89	M16	6	8.1	22	27	M20	M12	8.17	12.1	1216K	-	H216	HE216	140X8.5	2
										2216K	22216K	H316	HE316	140X10	1
94	M16	6	8.1	22	27	M20	M12	9.37	12.2	1217K	-	H217	HE217	150X9	2
										2217K	22217K	H317	HE317	150X10	1
99	M16	6	8.1	22	27	M20	M16	11.5	15.2	1218K	-	H218	HE218	160X716.2	2
										2218K	22218K	H318	HE318	160X11.2	2
										23218K	H2318	HE2318	160X10	1	
104	M16	6	8.1	22	28	M20	M16	13.5	17.7	1219K	-	H219		170X10.5	2
										-	22219K	H319		170X10	1
111	M20	7	9.3	26	32	M24	M16	16.3	20.5	2220K	22220K	H320	HE320	180X12.1	2
										-	23220K	H2320	HE2320	180X10	1
125	M20	8	10.8	26	32	M24	M16	25.1	29.2	2222K	22222K	H322	HE322	200X13.5	2
										-	23222K	H2322	HE2322	200X10	1
135	M20	8	10.7	26	34	M24	M16	27.2	33	-	22224K	H3124	HE3124	215X14	2
										-	23224K	H2324	HE2324	215X10	1
140	M24	8	10.7	28	35	M24	M20	35.2	40.9	-	22226K	H3126	HE3126	230X13	2
										-	23226K	H2326	HE2326	230X10	1
154	M24	9	12.2	34	44	M30	M24	43.7	48.6	-	22228K	H3128	HE3128	250X15	2
										-	23228K	H2328	HE2328	250X10	1
164	M24	9	12.2	34	42	M30	M24	45.3	56.2	-	22230K	H3130	HE3130	270X16.5	2
										-	23230K	H2330	HE2330	270X10	1
173	M24	10	13.7	32	44	M30	M24	50.75	68.5	-	22232K	H3132	HE3132	290X17	2
										-	23232K	H2332	HE2332	290X10	1



HOUSING NO.	SHAFT DIA. d1		D H8	B	b	G	F H13	A h13	L	H	E	E1	L1	X	d2H12 METRIC	d3 H12
	Bearing No.															
	METRIC	INCH														
SN 605	20	3/4	62	185	52	22	34	50	80	90	150	25	-	27	21.5	31
SN 606	25	1	72	185	52	22	37	50	82	95	150	25	-	27	26.5	38
SN 607	30	1-1/8	80	205	60	25	41	60	90	110	170	30	-	32	31.5	43
SN 608	35	1-1/4	90	205	60	25	43	60	95	115	170	30	-	34	36.5	48
SN 609 SSN	40	1-1/2	100	255	70	28	46	70	105	130	210	35	-	36	41.5	53
SN 610 SSN	45	1-3/4	110	255	70	30	50	70	115	135	210	35	-	39	46.05	58
SN 611 SSN	50	2	120	275	80	30	53	80	120	150	230	40	185	40	51.5	67
SN 612 SSN	55	2-1/8	130	280	80	30	56	80	125	155	230	40	185	44	56.5	72
SN 613 SSN	60	2-1/4	140	315	90	32	58	95	130	175	260	50	200	46	62	77
SN 615 SSN	65	2-1/2	160	345	100	35	65	100	140	195	290	50	210	51	67	82
SN 616 SSN	70	2-3/4	170	345	100	35	68	112	145	212	290	50	210	52	72	89
SN 617 SSN	75	3	180	380	110	40	70	112	155	218	320	60	220	56	77	94
SN 618 SSN	80	3-1/4	190	400	110	33	74	112	160	230	320	60	225	58	82	99
SN 619 SSN	85		200	420	120	36	77	125	170	245	350	70	235	60	87	104
SN 620 SSN	90	3-1/2	215	420	120	38	83	140	175	280	350	70	240	64	92	111
SN 622 SSN	100	4	240	460	130	40	90	150	190	300	390	70	258	69	102	125
SN 624 SSN	110	4-1/4	260	540	160	50	96	160	205	325	450	90	280	73	113	135
SN 626 SSN	115	4-1/2	280	560	160	50	103	170	215	350	470	90	300	77	118	140
SN 628 SSN	125	5	300	630	170	55	112	180	235	375	520	90	320	83	128	154
SN 630 SSN	135	5-1/4	320	680	180	55	118	190	245	395	560	90	340	88	138	164
SN 632 SSN	140	5-1/2	340	710	190	60	124	200	255	415	580	100	350	93	143	173



**NOTES:**

Foot of standard housing SSN type is solid without mounting holes or can be precast as 2-bolt (with prefix T) or 4-bolt mounting holes (with prefix F).

Taconite seal will be supplied as optional for perfect arrangement in severe operating conditions to prevent contamination from fine abrasive dust.

ZF rubber seals can be supplied upon request.

t	f1 H13	f2	u	v	S		WEIGHT (kg)		BEARING NO.		ADAPTER SLEEVE		LOCATING RING	
					2 bolt	4 bolt	SN6	SSN6	SELF-ALIG BALL	SPHERICAL ROLLER	METRIC	INCH	NUMBER	QTY
M8	3	4.2	16	20	M12	M10	2.11	-	1305K	-	H305	HE305	62X8.5	2
									2305K		H2305	HE2305	62X10	1
M10	4	5.4	16	20	M12	M10	2.09	-	1306K	-	H306	HE306	72X9	2
									2306K		H2306	HE2306	72X10	1
M10	4	5.4	16	20	M12	M10	3.4	4.1	1307K	-	H307	HE307	80X9	2
									2307K		H2307	HE2307	80X10	1
M10	4	5.4	15	24	M12	M10	3.6	4.7	1308K	21308K	H308	HE308	90X10	2
									2308K	22308K	H2308	HE2308	90X10	1
M12	4	5.4	19	25	M16	M12	5.3	6.8	1309K	21309K	H309	HE309	100X10.5	2
									2309K	22309K	H2309	HE2309	100X10	1
M12	4	5.4	18	23	M16	M12	5.5	6.8	1310K	21310K	H310	HE310	100X11.5	2
									2310K	22310K	H2310	HE2310	110X10	1
M12	5	6.9	20	28	M16	M12	6.9	9.0	1311K	21311K	H311	HE311	120X12	2
									2311K	22311K	H2311	HE2311	120X10	1
M12	5	6.9	20	28	M16	M12	8.8	10.5	1312K	21312K	H312	HE312	130X12.5	2
									2312K	22312K	H2312	HE2312	130X10	1
M16	5	6.8	22	30	M20	M12	9.8	12.4	1313K	21313K	H313	HE313	140X12.5	2
									2313K	22313K	H2313	HE2313	140X10	1
M16	5	6.8	23	28	M20	M16	13.0	16.4	1315K	21315K	H315	HE315	160X14	2
									2315K	22315K	H2315	HE2315	160X10	1
M16	6	8.1	23	30	M20	M16	15.5	19.7	1316K	21316K	H316	HE316	170X14.5	2
									2316K	22316K	H2316	HE2316	170X10	1
M20	6	8.1	26	35	M24	M16	16.3	20.7	1317K	21317K	H317	HE317	180X14.5	2
									2317K	22317K	H2317	HE2317	180X10	1
M20	6	8.1	27	38	M24	M16	20.0	24	1318K	-	H318	HE318	190X15.3	2
									2318K	22318K	H2318	HE2318	190X9.5	1
M20	7	9.3	27	33	M24	M16	30.5	37.1	1320K	-	H320	HE320	215X17.8	2
									2320K	22320K	H2320	HE2320	215X9.5	1
M20	8	10.8	28	32	M26	M16	42	49.2	1322K	-	H322	HE322	240X19.8	2
									2322K	22322K	H2322	HE2322	240X9.5	1
M24	8	10.7	34	42	M30	M20	59	72	-	22324K	H2324	HE2324	260X9.5	1
M24	8	10.7	34	42	M30	M20	61.5	80.9	-	22326K	H2326	HE2326	280X9.5	1
M30	9	12.2	34	46	M30	M20	88	105	-	22328K	H2328	HE2328	300X9.5	1
M30	9	12.2	38	44	M30	M20	89	115	-	22330K	H2330	HE2330	320X9.5	1
M30	10	13.7	40	52	M36	M24	127	145	-	22332K	H2332	HE2332	340X9.5	1

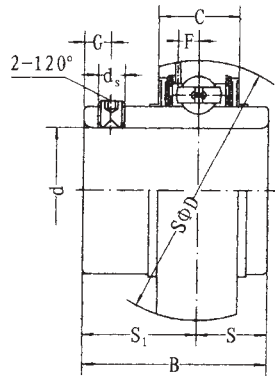
Bearing No.	Dimensions <sup>mm</sup> / <sub>inch</sub>				Basic Load Rating (N)		Weight (kg)
	Bore, d <sup>(mm)</sup> / <sub>inch</sub>	D	B	C	Cr	Cor	
<b>UK X05</b>	25 0.9843	62 2.4409	23 0.9055	19 0.7480	19420	11280	0.27
<b>UK X06</b>	30 1.1811	72 2.8346	26 1.0236	20 0.7874	25700	15400	0.43
<b>UK X07</b>	35 1.3780	80 3.1496	27 1.0630	21 0.8268	29130	17850	0.53
<b>UK X08</b>	40 1.5748	85 3.3456	29 1.1417	22 0.8661	34130	21280	0.58
<b>UK X09</b>	45 1.7717	90 3.5433	29 1.1417	24 0.9449	35110	23250	0.67
<b>UK X10</b>	50 1.9685	100 3.9370	31 1.2205	25 0.9843	43360	29430	0.89
<b>UK X11</b>	55 2.1654	110 4.3307	33 1.2992	27 1.0630	52480	36190	1.15
<b>UK X12</b>	60 2.3622	120 4.7244	36 1.4173	28 1.1024	57290	40120	1.45
<b>UK X13</b>	65 2.5591	125 4.9213	40 1.5748	30 1.1811	62190	44040	1.62
<b>UK X15</b>	75 2.9528	140 5.5118	42 1.6535	33 1.2992	72690	52970	2.10
<b>UK X16</b>	80 3.1496	150 5.9055	44 1.7323	35 1.3780	83970	61900	2.64
<b>UK X17</b>	85 3.3465	160 6.2992	48 1.8898	38 1.4961	96030	71613	3.25
<b>UK X18</b>	90 3.5433	170 6.6929	50 1.9685	40 1.5748	108890	81914	3.80
<b>UK X20</b>	100 3.9370	190 7.4803	54 2.1260	43 1.6929	133410	104967	5.36



Bearing No.	Dimensions <sup>mm</sup> / <sub>inch</sub>				Basic Load Rating (N)		Weight (kg)
	Bore, d (mm) inch	D	B	C	Cr	Cor	
<b>UK 305</b>	25 0.9843	62 2.4409	22 0.8661	27 1.0630	21180	10880	0.40
<b>UK 306</b>	30 1.1811	72 2.8346	24 0.9449	30 1.1811	26680	15000	0.47
<b>UK 307</b>	35 1.3780	80 3.1496	26 1.0236	33 1.2992	33350	19220	0.60
<b>UK 308</b>	40 1.5748	90 3.5433	28 1.1024	35 1.3780	40710	24030	0.80
<b>UK 309</b>	45 1.7717	100 3.9370	30 1.1811	38 1.4961	48850	29520	1.08
<b>UK 310</b>	50 1.9685	110 4.3307	32 1.2598	40 1.5748	61990	38250	1.38
<b>UK 311</b>	55 2.1654	120 4.7244	34 1.3386	43 1.6929	71610	44920	1.78
<b>UK 312</b>	60 2.3622	130 5.1181	36 1.4173	47 1.8504	81910	52180	2.06
<b>UK 313</b>	65 2.5591	140 5.5118	38 1.4961	49 1.9291	92700	59930	2.71
<b>UK 315</b>	75 2.9528	160 6.2992	42 1.6535	55 2.1654	113790	77200	3.80
<b>UK 316</b>	80 3.1496	170 6.6929	44 1.7323	55 2.1654	122620	86720	4.39
<b>UK 317</b>	85 3.3465	180 7.0866	46 1.8110	60 2.3622	132430	96820	5.30
<b>UK 318</b>	90 3.5433	190 7.4803	48 1.8898	60 2.3622	142240	106920	6.20
<b>UK 319</b>	95 3.7402	200 7.8740	50 1.9685	66 2.5984	153030	118700	7.31
<b>UK 320</b>	100 3.9370	215 8.4646	54 2.1260	68 2.6772	173630	141260	8.70

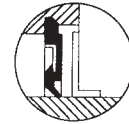
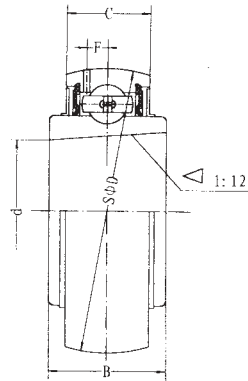
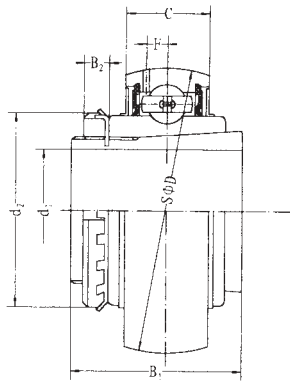


# Ball Bearings

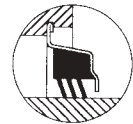


Unit No.	Dimensions <sup>mm</sup> <sub>inch</sub>									Dynamic Load Rating N	Static Load Rating N	Weight (kg)
	d	D	B	C	S	s <sub>1</sub>	G	d <sub>s</sub>	F			
UC305	25	62	38	20	15	23	6	M6 x 1	5.4	17220	11930	0.35
UC305-13	<sup>13</sup> / <sub>16</sub>											0.40
UC305-14	<sup>7</sup> / <sub>8</sub>	2.4409	1.4961	07874	0.591	0.906	0.236	<sup>1</sup> / <sub>4</sub> -28 UNF	0.213			0.38
UC305-15	1											0.36
UC305-16												0.35
UC306	30	72	43	23	17	26	6	M6 x 1	5.7	20770	14170	0.56
UC306-17	<sup>1-1</sup> / <sub>16</sub>											0.61
UC306-18	<sup>1-1</sup> / <sub>8</sub>	2.8346	1.6929	0.9055	0.669	1.024	0.236	<sup>1</sup> / <sub>4</sub> -28 UNF	0.225			0.58
UC306-19	<sup>1-3</sup> / <sub>16</sub>											0.56
UC307	35	80	48	25	19	29	8	M8 x 1	6.2	25660	17920	0.71
UC307-20	<sup>1-1</sup> / <sub>4</sub>											0.77
UC307-21	<sup>1-5</sup> / <sub>16</sub>	3.1496	1.8898	0.9843	0.748	1.142	0.315	<sup>5</sup> / <sub>16</sub> -24 UNF	0.224			0.74
UC307-22	<sup>1-1</sup> / <sub>8</sub>											0.71
UC307-23	<sup>1-7</sup> / <sub>16</sub>											0.68
UC308	40	90	52	27	19	33	10	M10 x 1	7.0	31350	22380	0.96
UC308-24	<sup>1-1</sup> / <sub>2</sub>	3.5433	2.0472	1.0630	0.748	1.299	0.394	<sup>3</sup> / <sub>8</sub> -24 UNF	0.276			1.01
UC308-25	<sup>1-9</sup> / <sub>16</sub>											0.97
UC309	45	100	57	30	22	35	10	M10 x 1	7.8			40660
UC309-26	<sup>1-5</sup> / <sub>8</sub>									1.39		
UC309-27	<sup>1-11</sup> / <sub>16</sub>	3.9370	2.2441	1.1811	0.866	1.378	0.394	<sup>3</sup> / <sub>8</sub> -24UNF	0.307	1.35		
UC309-28	<sup>1-3</sup> / <sub>4</sub>									1.30		
UC310	50	110	61	32	22	39	12	M12 x 1.5	8.5	47580	35710	1.65
UC310-29	<sup>1-13</sup> / <sub>16</sub>											1.97
UC310-30	<sup>1-7</sup> / <sub>8</sub>	4.3307	2.4016	1.2598	0.866	1.535	0.472	<sup>1</sup> / <sub>2</sub> -20UNF	0.335			1.74
UC310-31	<sup>1-15</sup> / <sub>16</sub>											1.68
UC311	55	120	66	34	25	41	12	M12 x 1.5	9.2	55050	41910	2.07
UC311-32	2											2.25
UC311-33	<sup>2-1</sup> / <sub>16</sub>	4.7244	2.5984	1.3386	0.984	1.614	0.472	<sup>1</sup> / <sub>2</sub> -20UNF	0.362			2.18
UC311-34	<sup>2-1</sup> / <sub>8</sub>											2.12
UC311-35	<sup>2-3</sup> / <sub>16</sub>											2.04
UC312	60	130	71	36	26	45	12	M12 x 1.5	9.8	62880	48600	2.60
UC312-36	<sup>2-1</sup> / <sub>4</sub>											2.75
UC312-37	<sup>2-5</sup> / <sub>16</sub>	5.1181	2.7953	1.4173	1.0236	1.772	0.472	<sup>1</sup> / <sub>2</sub> -20UNF	0.386			2.67
UC312-38	<sup>2-3</sup> / <sub>8</sub>											2.58
UC312-39	<sup>2-7</sup> / <sub>16</sub>											2.50
UC316	80	170	86	44	34	52	14	M14 x 1.5	12.5	94570	80350	5.55
UC316-49	<sup>3-1</sup> / <sub>16</sub>											5.72
UC316-50	<sup>3-1</sup> / <sub>8</sub>	6.6929	3.3858	1.7323	1.339	2.047	0.551	<sup>9</sup> / <sub>16</sub> -18UNF	0.492			5.58
UC316-51	<sup>3-3</sup> / <sub>16</sub>											5.49
UC317	85	180	96	46	40	56	16	M16 x 1.5	13.1	102050	89520	6.67
UC317-52	<sup>3-1</sup> / <sub>4</sub>											6.89
UC317-53	<sup>3-5</sup> / <sub>16</sub>	7.0866	3.7795	1.8110	1.575	2.205	0.630	<sup>5</sup> / <sub>8</sub> -18UNF	0.516			3.67
UC317-55	<sup>3-7</sup> / <sub>16</sub>											6.44
UC318	90	190	96	48	40	56	16	M16 x 1.5	13.8	110810	100760	7.56
UC318-55	<sup>3-7</sup> / <sub>16</sub>	7.4803	3.7795	1.8898	1.575	2.205	0.630	<sup>5</sup> / <sub>8</sub> -18UNF	0.543			7.85
UC318-56	<sup>3-1</sup> / <sub>2</sub>											7.67
UC319	95	200	103	50	41	62	16	M16 x 1.5	14.7			120510
UC319-58	<sup>3-5</sup> / <sub>8</sub>									9.03		
UC319-59	<sup>3-11</sup> / <sub>16</sub>	7.8740	4.0551	1.9585	1.614	2.441	0.630	<sup>5</sup> / <sub>8</sub> -18UNF	0.579	8.85		
UC319-60	<sup>3-3</sup> / <sub>4</sub>									8.66		

**Ball Bearings**  
(with adapter mounted)



SL TYPE SEAL

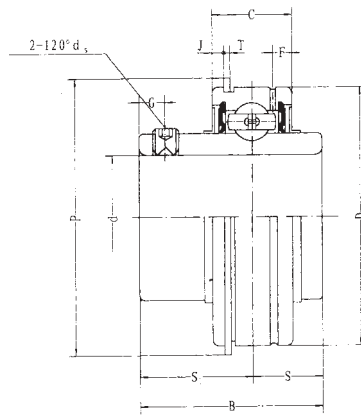


L3 TYPE SEAL

Bearing No.	Dimensions <sup>mm</sup> / <sub>inch</sub>									Rating N	Rating N	Weight (kg)
	d	D	B	C	d <sub>1</sub>	B <sub>1</sub>	B <sub>2</sub>	d <sub>2</sub>	F			
UK205	25	52	23	17	20	35	8	38	3.9	10780	6980	0.25
	0.9843	2.0472	0.9055	0.6693		1.378	0.315	1.496	0.514			
UK206	30	62	26	19	25	38	8	45	5.0	14970	10040	0.36
	1.1811	2.4409	1.0236	0.7480		1.496	0.315	1.772	0.197			
UK207	35	72	29	20	30	43	9	52	5.7	19750	13670	0.57
	1.3780	2.8346	1.1417	0.7874		1.693	0.354	2.047	0.224			
UK208	40	80	31	21	35	46	10	58	6.2	22710	15940	0.74
	1.5748	3.1496	1.2205	0.8268		1.811	0.394	2.2283	0.244			
UK209	45	85	31	22	40	50	11	65	6.4	24360	17710	0.83
	1.7717	3.3465	1.2205	0.8661		1.969	0.433	2.559	0.252			
UK210	50	90	32	24	45	55	12	70	6.5	26980	19840	0.97
	1.96685	3.5433	1.2598	1.2598	0.9449		2.165	0.472	2.756	0.256		
UK211	55	100	35	25	50	59	12	75	7.0	33370	25110	1.26
	2.1654	3.9370	1.3780	0.9843		2.323	0.472	2.953	0.276			
UK212	60	110	38	27	55	62	13	80	7.6	36740	27970	1.59
	2.3622	4.3307	1.4961	1.0630		2.441	0.512	3.150	0.299			
UK213	65	120	40	25	60	65	14	85	8.5	36740	27970	1.59
	2.3622	4.3307	1.4961	1.0630		2.441	0.512	3.150	0.299			
UK213	65	120	40	28	60	65	14	85	8.5	44010	34180	1.76
	2.5591	4.7244	1.5748	1.1024		2.559	0.551	3.346	0.335			
UK215	75	130	44	30	65	73	15	98	9.2	50850	41260	2.32
	2.9528	5.1181	1.7323	1.1811		2.874	0.591	3.858	0.362			
UK216	80	140	45	32	70	78	17	105	9.5	55040	45090	3.06
	3.1496	5.5118	1.7717	1.2598		3.071	0.669	4.134	0.374			
UK217	85	150	46	34	75	82	18	110	10.2	64010	53280	3.88
	3.3465	5.9055	1.8110	1.3386		3.228	0.709	4.331	0.402			
UK218	90	160	47	36	80	86	18	120	11.2	73830	60760	4.74
	3.5433	6.2992	1.8504	1.4173		3.386	0.709	0.441				

**SER2 (normal-duty)**

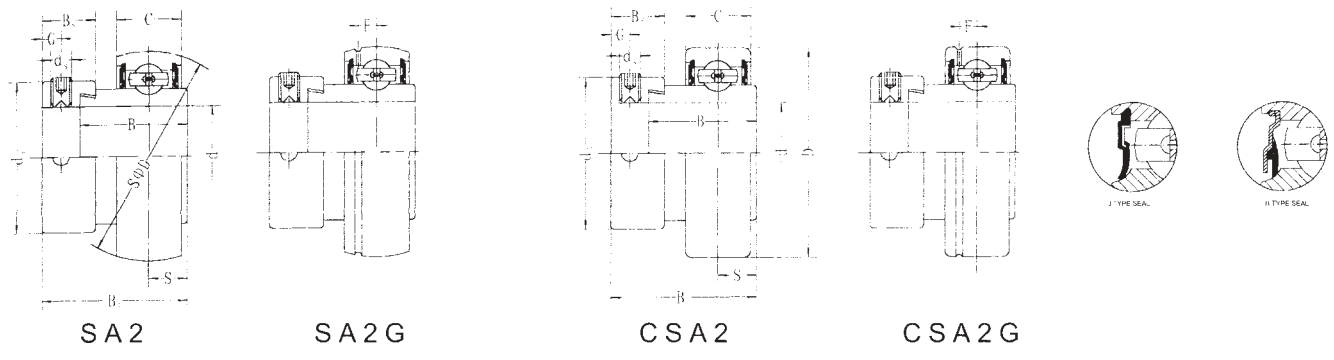
**Ball Bearings**  
(with locating snap ring)



Bearing No.	Dimensions <sup>mm</sup> / <sub>inch</sub>												Rating N	Rating N	Weight (Kg)
	d	D	B	C	S	S <sub>1</sub>	T	F	J	P	G	d <sub>2</sub>			
SER204	20	47	31	15.9	10.3	20.7	1.12	3.8	2.46	52.7	4.8	M6 x 1	9880	6200	0.21
SER204-12	3/4	1.8504	1.2205	0.6260	0.406	0.815	0.044	0.150	0.097	2.075	0.189	1/4-28UNF			
SER205	25	52	34.9	19	13.1	21.8	1.12	5.2	2.46	57.9	5	M6 x 1			
SER205-13	13/16														
SER205-14	7/8	2.0472	1.3740	0.7480	0.516	0.858	0.044	0.205	0.097	2.280	0.197	1/4-28UNF	10780	6980	0.27
SER205-15	15/16														
SER205-16	1														
SER206	30	62	38.1	22.2	15.9	22.2	1.7	5.6	3.28	67.7	5	M6 x 1			
SER206-17	1-1/16														
SER206-18	1-1/8	2.4409	1.5000	0.8740	0.626	0.874	0.067	0.220	0.129	2.665	0.197	1/4-28UNF	14970	10040	0.39
SER206-19	1-3/16														
SER206-20	1-1/4														
SER207	35	72	42.9	23.8	17.5	25.4	1.7	5.6	3.28	78.6	6.7	M8 x 1			
SER207-20	1-1/4														
SER207-21	1-5/16	2.8346	1.6890	0.9370	0.689	1.000	0.067	0.220	0.129	3.094	0.264	5/16-24UNF			
SER207-22	1-3/8														
SER207-23	1-7/16														
SER208	40	80	49.2	27.8	19	30.2	1.7	6.4	3.28	86.9	8	M8 x 1			
SER208-24	1-1/2	3.1496	1.9370	1.0945	0.748	1.189	0.067	0.252	0.129	3.409	0.315	5/16-24UNF	22710	15940	0.81
SER208-25	1-9/16														
SER209	45	85	49.2	27.8	19	30.2	1.7	6.4	3.28	91.6	8	M8 x 1			
SER209-26	1-5/8														
SER209-27	1-11/16	3.3465	1.9370	1.0945	0.748	1.189	0.067	0.252	0.129	3.606	0.315	5/16-24UNF	24360	17710	0.90
SER209-28	1-3/4														
SER210	50	90	51.6	28.6	19	32.6	2.46	7.5	3.28	96.5	10	M10 x 1			
SER210-29	1-13/16														
SER210-30	1-7/8	3.5433	2.0315	1.1260	0.748	1.283	0.097	0.295	0.129	3.799	0.394	3/8-24UNF	26980	19840	0.98
SER210-31	1-15/16														
SER210-32	2														
SER211	55	100	55.6	30.2	22.2	33.4	2.46	7.5	3.28	106.5	10	M10 x 1			
SER211-2	2														
SER211-33	2-1/16	3.9370	2.1890	1.1890	0.874	1.315	0.097	0.295	0.129	4.193	0.394	3/8-24UNF	33370	25110	1.40
SER211-34	2-1/8														
SER211-35	2-3/16														
SER212	60	110	65.1	31.8	25.4	39.7	2.46	7.5	3.28	1116.6	10	M10 x 1			
SER212-36	2														
SER212-37	2-1/4	4.3307	2.5630	1.2520	1.000	1.563	0.097	0.295	0.129	4.591	0.394	3/8-24UNF	36740	27970	1.89
SER212-38	2-5/16														
SER212-38	2-3/8														
SER212-39	2-7/16														

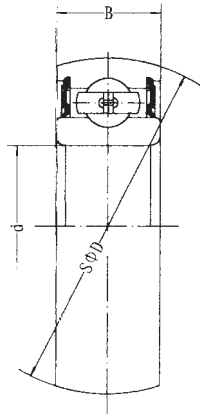
**SA2 (light-duty)**

**Ball Bearings  
(with eccentric locking collar)**



Bearing No.	Dimensions <sup>mm</sup> / <sub>inch</sub>										Rating N	Rating N	Weight (Kg)
	d	D	B <sub>1</sub>	B	C	S	d <sub>s</sub>	G	B <sub>s</sub>	d <sub>5</sub>			
SA201	12	40	28.6	19.1	12	6.5	M6 x 1	4.8	13.5	28.6	7360	4480	0.12
SA201-8	3/4	1.5748	1.126	0.7520	0.4724	0.256	1/4-28UNF	0.189	0.531	1.126			
SA202	15	40	28.6	19.1	12	6.5	M6 x 1	4.8	13.5	28.6	7360	4480	0.10
SA202-9	9/16												
SA202-10	5/8	1.5748	1.126	0.7520	0.4724	0.256	1/4-28UNF	0.189	0.531	0.126			0.10
SA203	17	40	28.6	19.1	12	6.5	M6 x 1	7.8	13.5	28.6	7360	4480	0.09
SA203-11	11/16	1.5748	1.126	0.7520	0.4724	0.256	1/4-28UNF	0.189	0.531	1.126			
SA204	20	47	31	21.5	14	7.5	M6 x 1	4.8	13.5	33.3	9880	6200	0.16
SA204-12	3/4	1.8504	1.220	0.8465	0.5512	0.295	1/4-28UNF	0.189	0.531	1.311			
SA205	25	52	31	21.5	15	7.5	M6 x 1	4.8	13.5	38.1	10780	6980	0.20
SA205-13	13/16												
SA205-14	7/8												
SA205-15	15/16	2.0472	1.220	0.8465	0.5906	0.295	1/4-28UNF	0.189	0.531	1.500			
SA205-16	1												
SA206	30	62	35.7	23.8	16	9	M8 x 1	6	15.9	44.5	14970	10040	0.30
SA206-17	1-1/16												
SA206-18	1-1/8	2.4409	1.406	0.9370	0.6299	0.354	5/16-28UNF	0.236	0.626	1.752			
SA206-19	1-3/16												
SA206-20	1-1/4												
SA207	35	72	38.9	25.4	17	9.5	M8 x 1	6.8	17.5	55.6	19750	13670	0.42
SA207-20	1-1/4												
SA207-21	1-5/16												
SA207-22	1-3/8												
SA207-23	1-7/16												
SA208	40	80	43.7	30.2	18	11	M8 x 1	6.8	18.3	60.3	22710	15940	0.60
SA208-24	1-1/2	3.1496	1.721	1.1890	0.7087	0.433	5/16-24UNF	0.268	0.720	2.374			
SA208-25	1-9/16												
SA209	45	85	43.7	30.2	19	11	M8 x 1	6.8	18.3	63.5			
SA209-26	1-5/8												
SA209-27	1-11/16	3.3465	1.721	1.1890	0.7480	0.433	5/16-24UNF	0.268	0.720	2.500			
SA209-28	1-3/4												
SA210	50	90	43.7	30.2	20	11	M8 x 1	6.8	18.3	69.9			
SA210-29	1-13/16												
SA210-30	1-7/8	3.5433	1.721	1.1890	0.7874	0.433	5/16-24UNF	0.268	0.720	2.752			
SA210-32	2												
SA211	55	100	48.4	32.5	21	12	M10 x 1	8	20.7	76.2	33370	25110	1.26
SA211-32	2												
SA211-33	2-1/16												
SA211-34	2-1/8	3.9370	1.906	1.2795	0.8268	0.472	3/8-24UNF	0.315	0.815	3.000			
SA211-35	2-3/16												
SA212	60	110	53.1	37.2	22	13.5	M10 x 1	8	22.3	84.2	36740	27970	1.70
SA212-36	2-1/4												
SA212-37	2-5/16												
SA212-38	2-3/8	4.3307	2.091	1.4646	0.8661	0.532	3/8-24UNF	0.315	0.878	3.315			
SA212-39	2-7/16												

CS2 (light-duty)



Bearing No.	Dimensions <sup>mm</sup> / <sub>inch</sub>			Rating N	Rating N	Weight (kg)
	d	D	B			
CS200-2RS	0.3937	0.3543	1.1811	520	245	0.030
	10	30	9			
CS201-2RS	0.4724	0.3937	1.2598	690	310	0.035
	12	32	10			
CS202-2RS	0.5906	0.4331	1.3780	780	380	0.040
	15	35	11			
CS203-2RS	0.6693	0.4724	1.3780	7360	4480	0.06
	17	40	12			
CS204-2RS	0.6693	1.5748	0.4724	9880	6200	0.10
	20	47	14			
CS205-2RS	0.7874	1.8504	0.5512	10780	6980	0.13
	25	52	15			
CS206-2RS	0.9843	2.0472	0.5906	14970	10040	0.20
	30	62	16			
CS207-2RS	1.1811	2.4409	0.6299	19750	13670	0.29
	35	72	17			
CS208-2RS	1.3780	2.8346	0.6693	22710	15940	0.37
	40	80	18			
CS209-2RS	1.5748	3.1496	0.7087	24360	17710	0.46
	45	85	19			
CS210-2RS	1.7717	3.3465	0.7480	26980	19840	0.57
	50	90	20			
	1.9685	3.5433	0.7874			